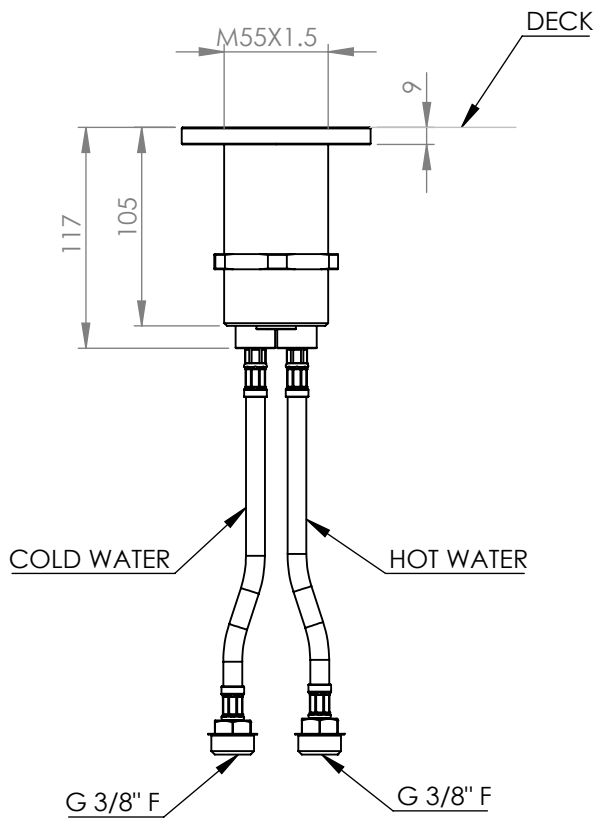
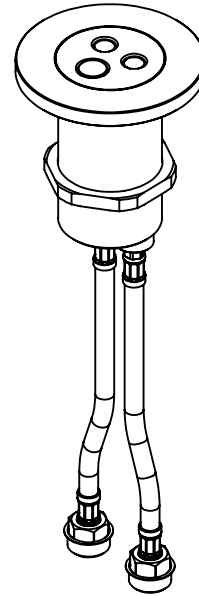
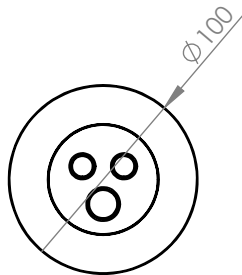


1

2

3

4



3D FILE
DS_5020C_B01_BASE

SIGNATURE
DANIELE NIGOSANTI

REV.
0

MATERIAL
AISI 316L

QTY.
0

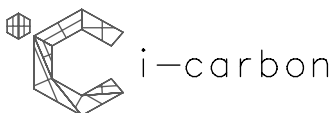
WEIGHT [Kg]
-

SCALE
1:4

SURFACE TREATMENT / FINISHING
VEDI SPECIAL NOTES

COD. ARTICOLO
DS_5020C_B01

SHEET
1/1



Str. degli Olmi 22
61122 Pesaro (PU)
Tel. +39 0721 620041
E-mail info@i-carbon.it
Web www.i-carbon.it

DATE
12/12/2025

FORMAT
A4

COSTUMER
-

TOLLERANZE PER MISURE SENZA INDICAZIONI

	0	30	100	300	1°
da	0	30	100	300	360°
a	30	100	300	-	
±	0.1	0.2	0.4	0.8	20'

THIS DRAWING AND THE CONTAINED INFORMATION IN IT ARE PROPERTY OF
AMS AND/OR THE CUSTOMER, WITH PROHIBITION TO REPRODUCE OR TO
DISCLOSE THEM WITHOUT A WRITTEN CONSENT

PROJECTION



1

mm 0

10

20

30

40

50

60

70

80

90

100