

H G F E D C B A

4

4

3

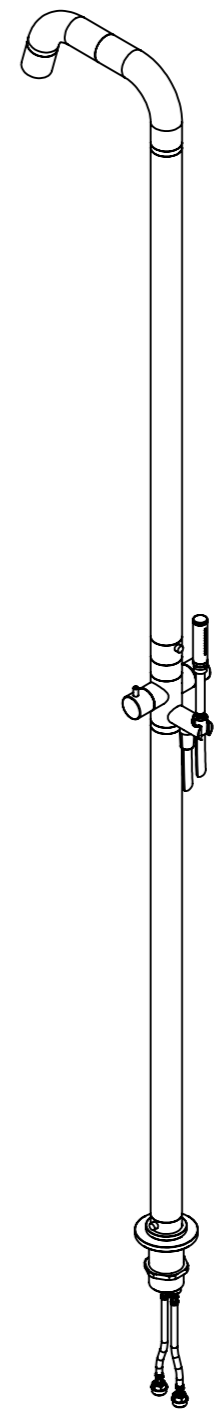
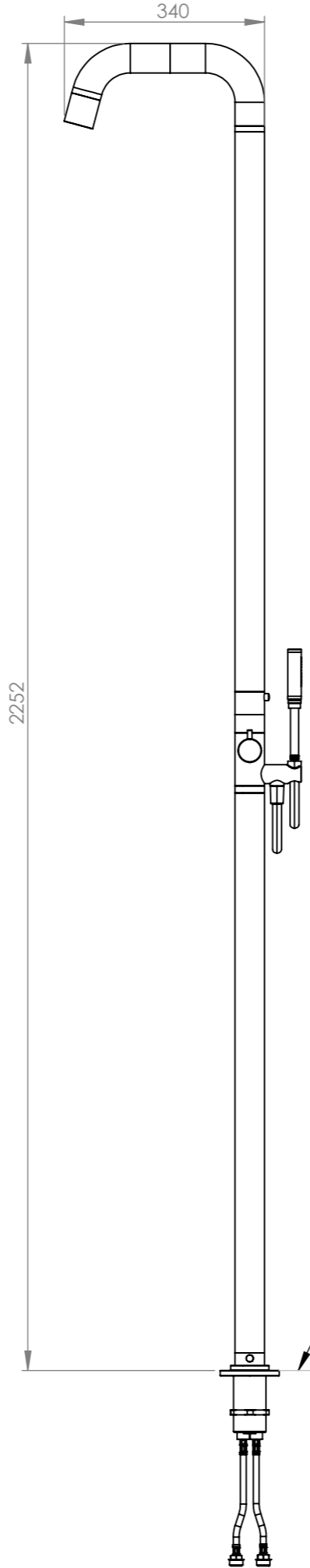
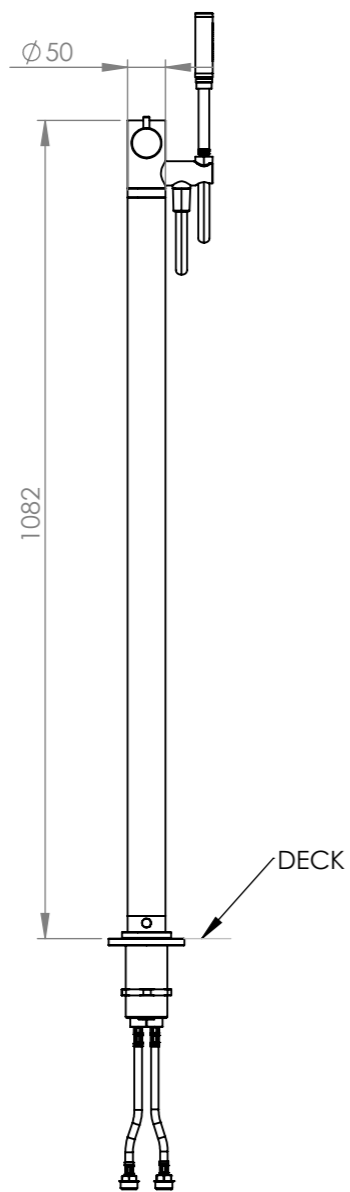
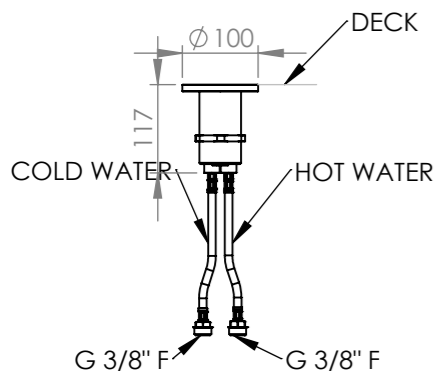
3

2

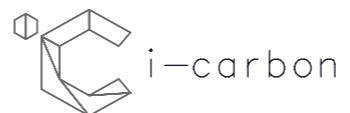

2

1

1



SCALA  
1:12

<b>3D FILE</b> DS_5020C		<b>SIGNATURE</b> DANIELE NIGOSANTI		<b>REV.</b> 0																	
<b>MATERIAL</b> AISI 316L - CARBON FIBER		<b>QTY.</b> -	<b>WEIGHT [Kg]</b> -	<b>SCALE</b> 1:10																	
<b>SURFACE TREATMENT / FINISHING</b> VEDI SPECIAL NOTES		<b>COD. ARTICOLO</b> DS_5020C		<b>SHEET</b> 1/1																	
 Str. degli Olmi 22 61122 Pesaro (PU) Tel. +39 0721 620041 E-mail info@i-carbon.it Web www.i-carbon.it		<b>DATE</b> 16/12/2025		<b>FORMAT</b> A3																	
		<b>COSTUMER</b> -		TOLLERANZE PER MISURE SENZA INDICAZIONI <table border="1"> <tr> <td>da</td> <td>0</td> <td>30</td> <td>100</td> <td>300</td> <td>1°</td> </tr> <tr> <td>a</td> <td>30</td> <td>100</td> <td>300</td> <td>-</td> <td>360°</td> </tr> <tr> <td>±</td> <td>0.1</td> <td>0.2</td> <td>0.4</td> <td>0.8</td> <td>.20'</td> </tr> </table>		da	0	30	100	300	1°	a	30	100	300	-	360°	±	0.1	0.2	0.4
da	0	30	100	300	1°																
a	30	100	300	-	360°																
±	0.1	0.2	0.4	0.8	.20'																
THIS DRAWING AND THE CONTAINED INFORMATION IN IT ARE PROPERTY OF AMS AND/OR THE CUSTOMER, WITH PROHIBITION TO REPRODUCE OR TO DISCLOSE THEM WITHOUT A WRITTEN CONSENT		<b>PROJECTION</b>																			

H G F E D C B A