

1 2 3 4

A

A

B

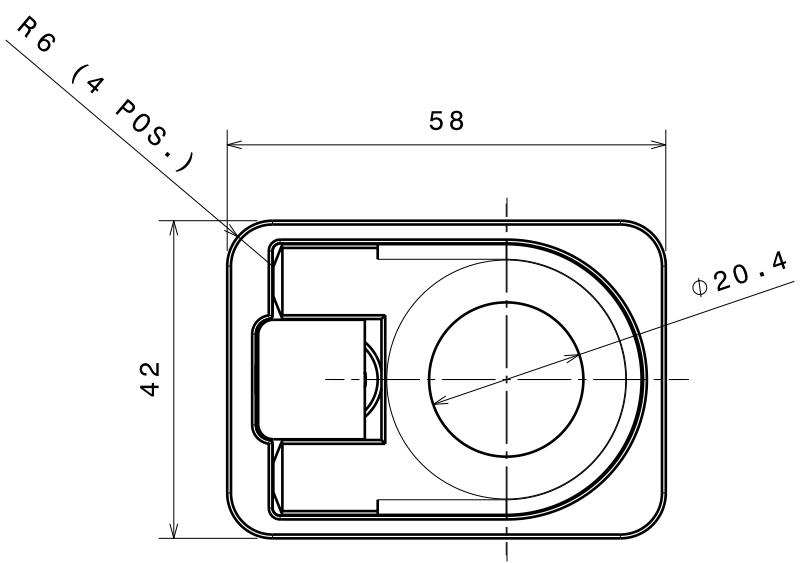
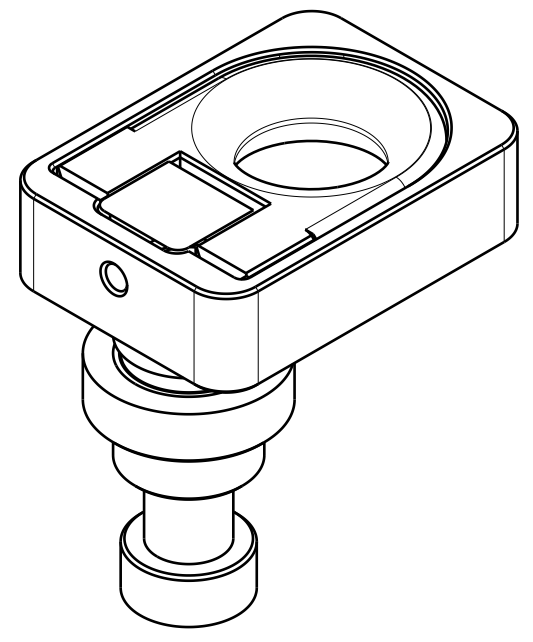
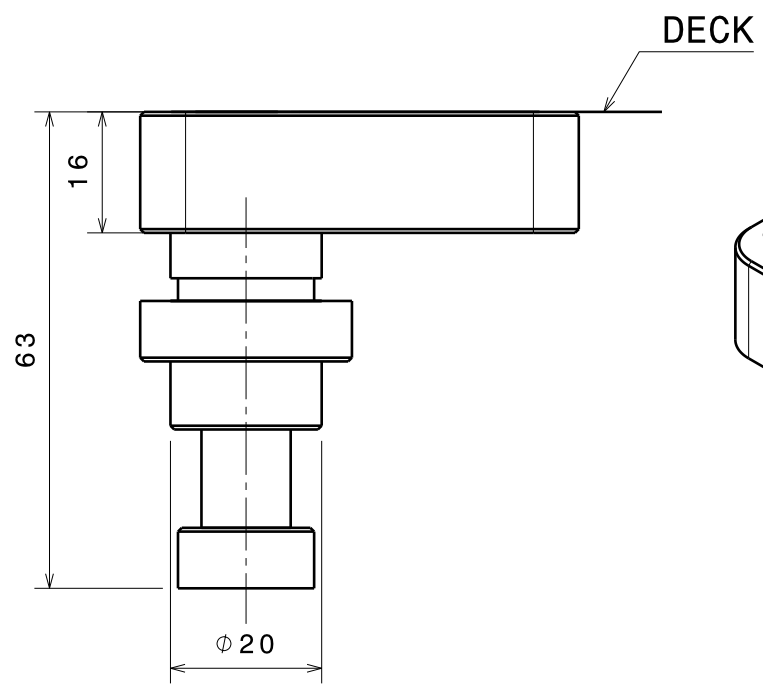
B

C

C

D

D

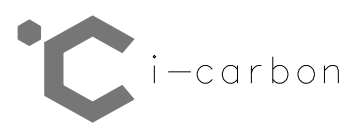


3D FILE LP_1000 REV. 0

MATERIAL AISI 316L QTY. 1 WEIGHT [Kg] - SCALE 1:1

SURFACE TREATMENT / FINISHING VEDI SPECIAL NOTES COD. ARTICOLO LP_1000 SHEET 1/1

DATE 26/06/2024 FORMAT A4



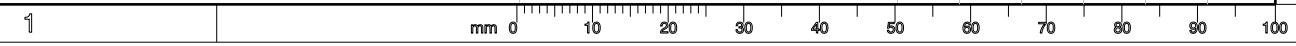
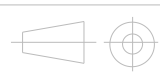
Via San Leo 3
61122 Pesaro (PU)
Tel. +39 0721 402287
E-mail info@i-carbon.it
Web www.i-carbon.it

COSTUMER -

TOLLERANZE PER MISURE SENZA INDICAZIONI					
da	1	20	100	300	1°
a	20	100	300	-	360°
±	0.02	0.05	0.1	0.3	20'

THIS DRAWING AND THE CONTAINED INFORMATION IN IT ARE PROPERTY OF AMS AND/OR THE CUSTOMER, WITH PROHIBITION TO REPRODUCE OR TO DISCLOSE THEM WITHOUT A WRITTEN CONSENT

PROJECTION ISO 128



E

E