

1

2

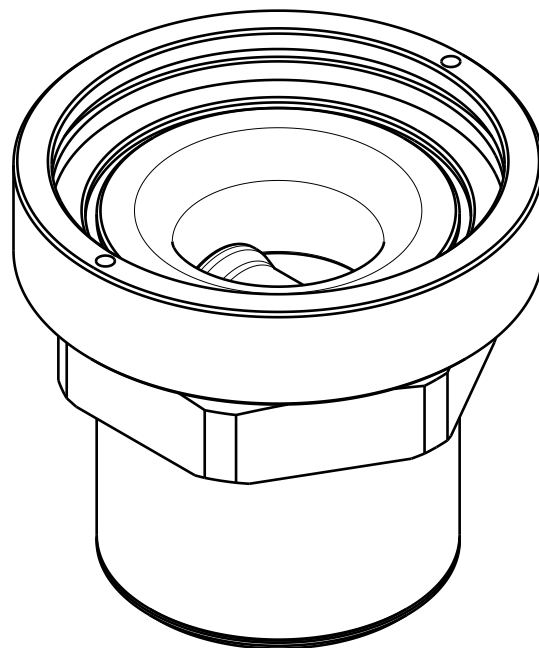
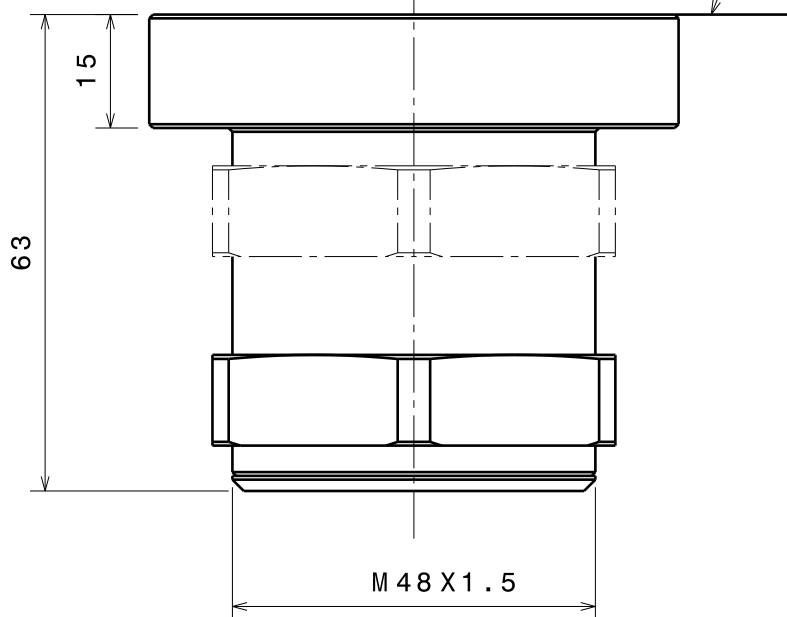
3

4

A

A

DECK



B

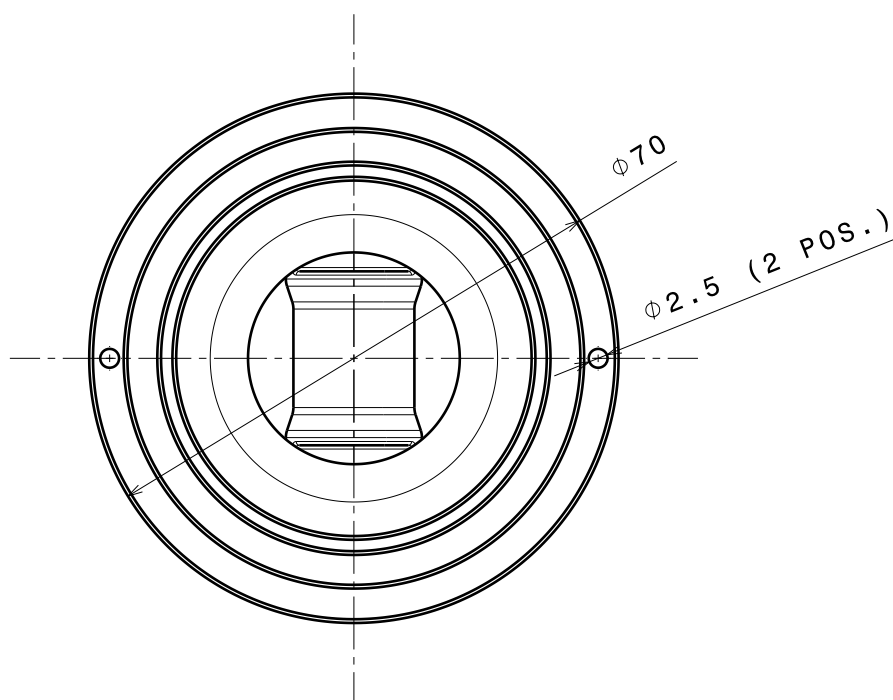
B

C

C

D

D



3D FILE  
LPL

REV.  
A

MATERIAL  
AISI 316L

QTY.  
1

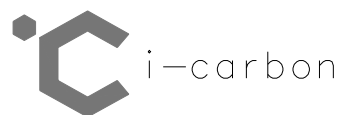
WEIGHT [Kg]  
-

SCALE  
1:1

SURFACE TREATMENT / FINISHING  
VEDI SPECIAL NOTES

COD. ARTICOLO  
LPL

SHEET  
1/1



Via San Leo 3  
61122 Pesaro (PU)  
Tel. +39 0721 402287  
E-mail info@i-carbon.it  
Web www.i-carbon.it

DATE  
26/08/2024

FORMAT  
A4

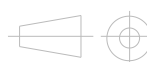
COSTUMER  
-

TOLLERANZE PER MISURE SENZA INDICAZIONI

da	1	20	100	300	1°
a	20	100	300	-	360°
±	0.02	0.05	0.1	0.3	20'

THIS DRAWING AND THE CONTAINED INFORMATION IN IT ARE PROPERTY OF  
AMS AND/OR THE CUSTOMER, WITH PROHIBITION TO REPRODUCE OR TO  
DISCLOSE THEM WITHOUT A WRITTEN CONSENT

PROJECTION  
ISO 128



1

mm 0

10

20

30

40

50

60

70

80

90

100

E

E