

H G F E D C B A

4

3

2

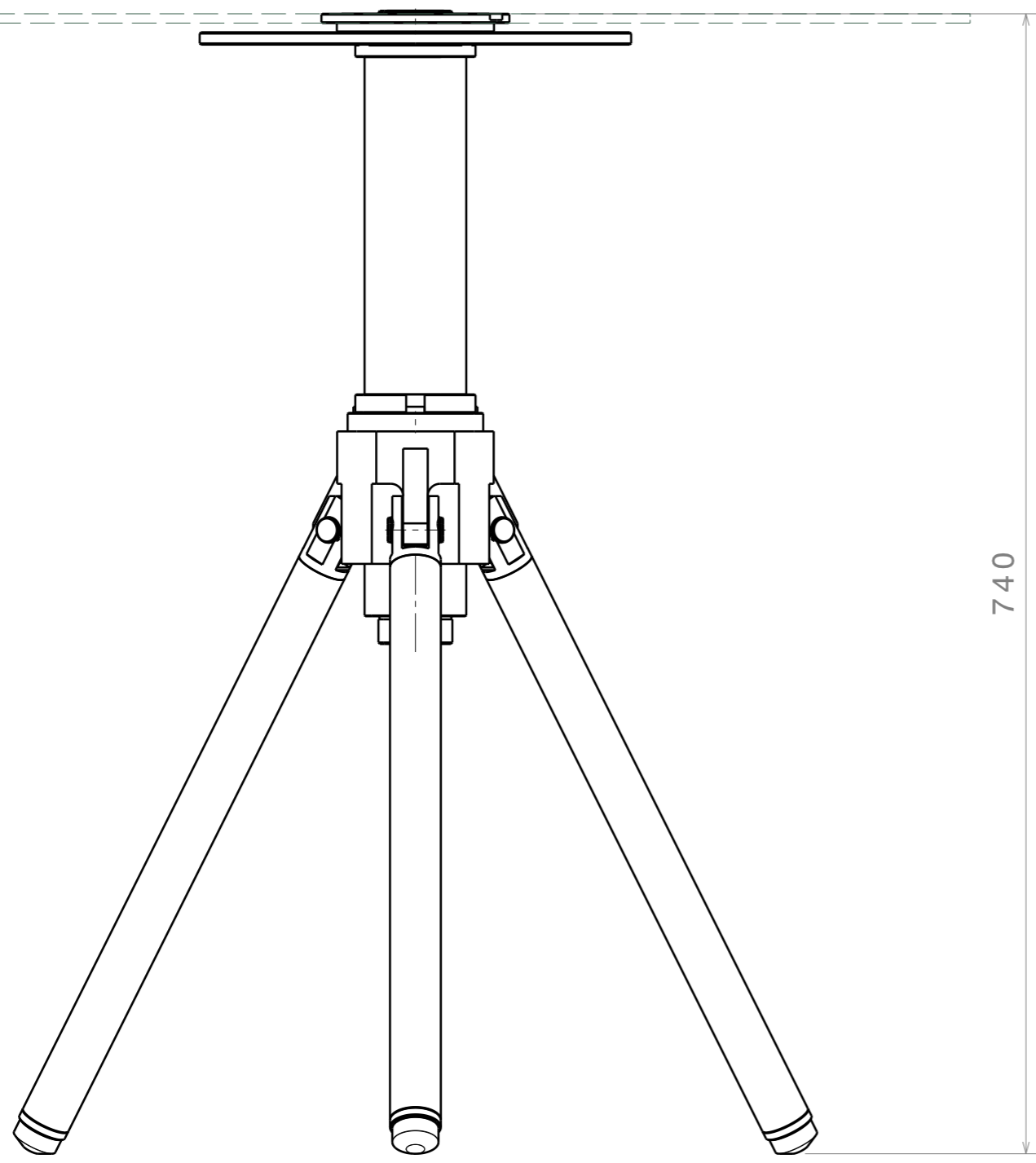
1

4

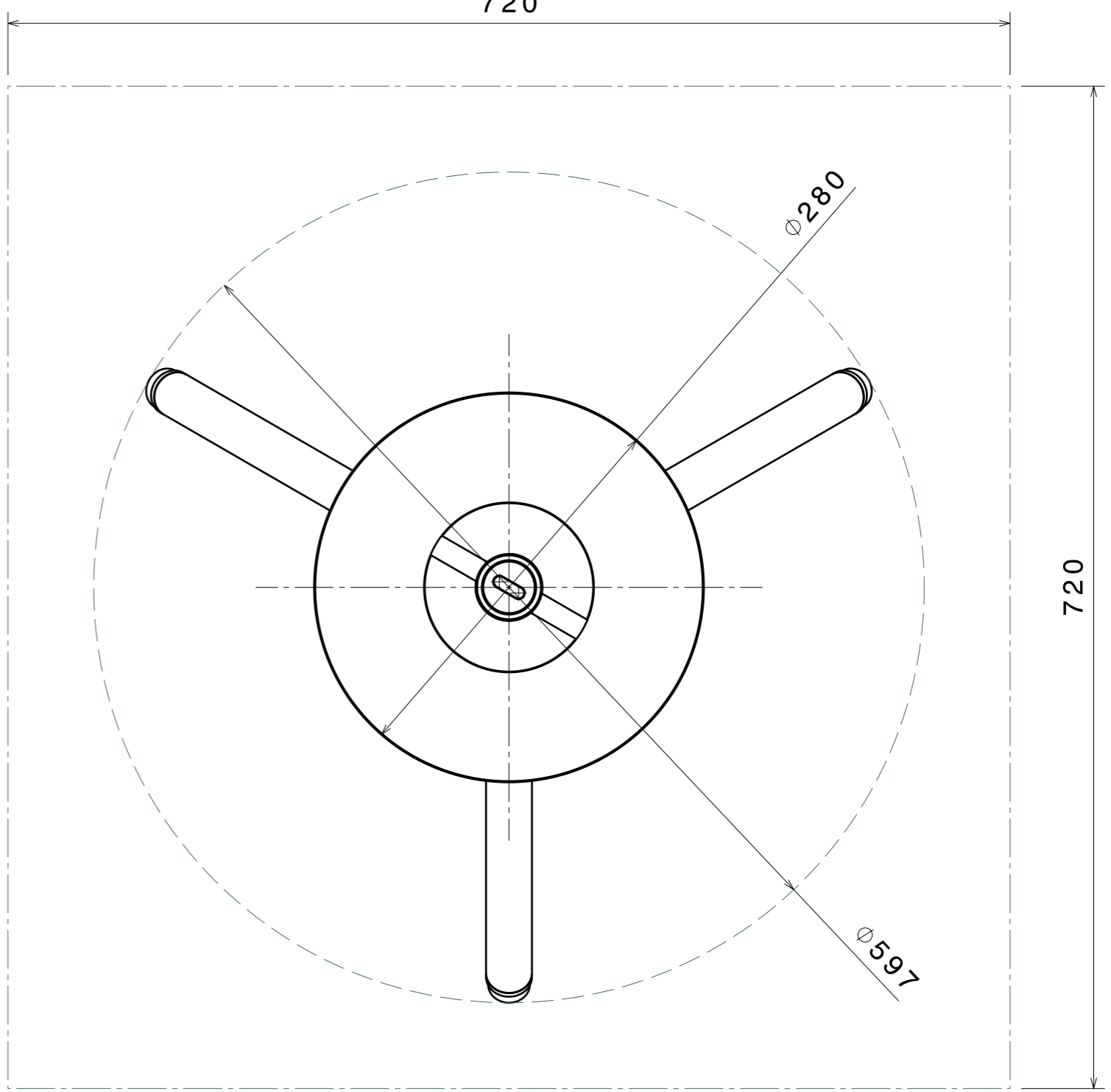
3

2

1



740




720

720

Ø280

Ø597

3D FILE TAVOLO		REV. 0																			
MATERIAL AL 6082 - CARBONIO	QTY. -	WEIGHT [Kg] -	SCALE 1:4																		
 Via Albertini 36 60131 Ancona (AN) Tel +39 071 2112906 E-mail info@i-carbon.it Web www.i-carbon.it		COD. ARTICOLO TAVOLO	SHEET 1/1																		
		DATE 02/10/2023	FORMAT A3																		
COSTUMER -		TOLLERANZE PER MISURE SENZA INDICAZIONI																			
THIS DRAWING AND THE CONTAINED INFORMATION IN IT ARE PROPERTY OF AMS AND/OR THE CUSTOMER, WITH PROHIBITION TO REPRODUCE OR TO DISCLOSE THEM WITHOUT A WRITTEN CONSENT		PROJECTION ISO 128	<table border="1"> <tr> <td>da</td> <td>1</td> <td>20</td> <td>100</td> <td>300</td> <td>1•</td> </tr> <tr> <td>a</td> <td>20</td> <td>100</td> <td>300</td> <td>-</td> <td>360•</td> </tr> <tr> <td>±</td> <td>0.02</td> <td>0.05</td> <td>0.1</td> <td>0.3</td> <td>20'</td> </tr> </table>	da	1	20	100	300	1•	a	20	100	300	-	360•	±	0.02	0.05	0.1	0.3	20'
		da	1	20	100	300	1•														
a	20	100	300	-	360•																
±	0.02	0.05	0.1	0.3	20'																

H G F E D C B A