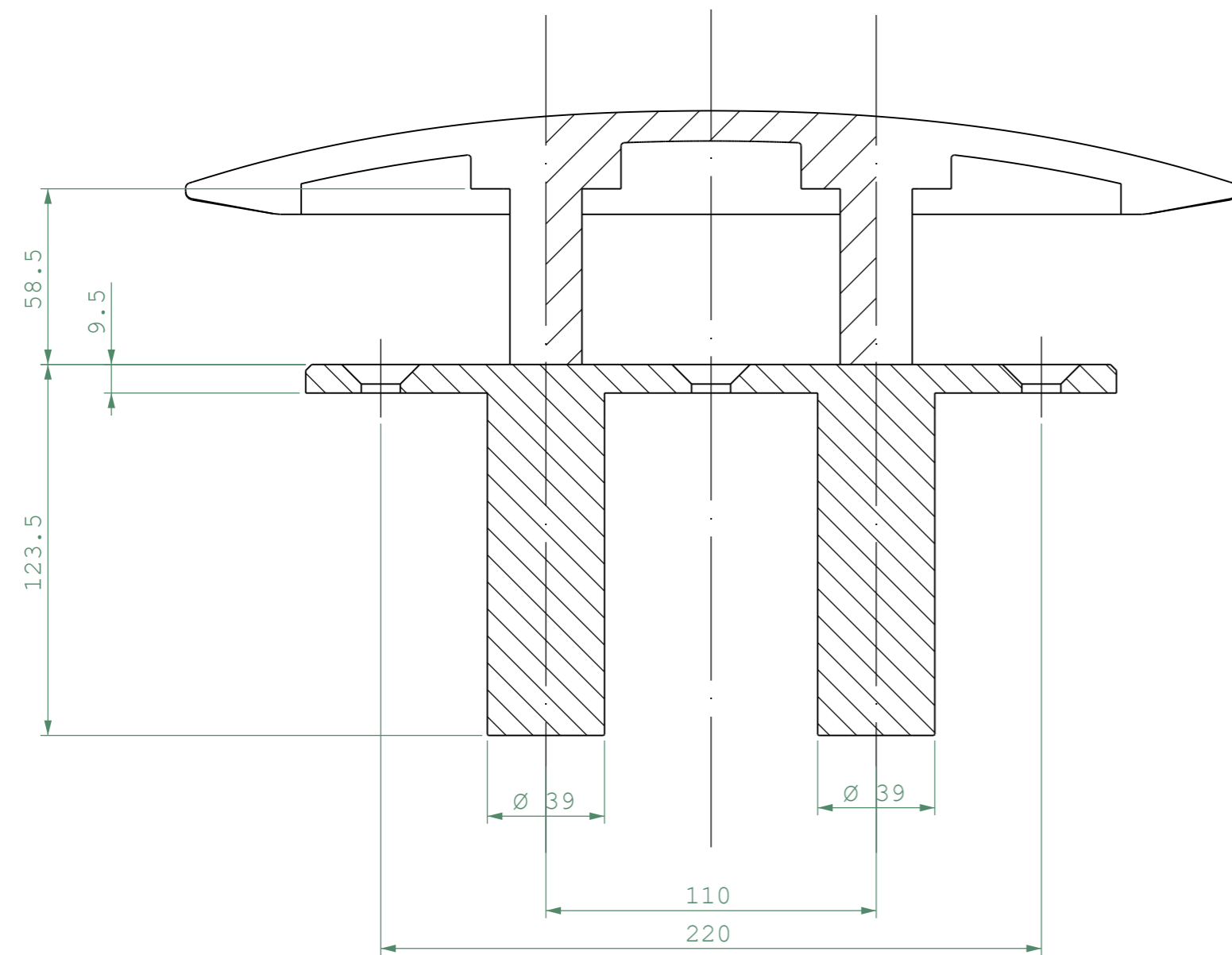
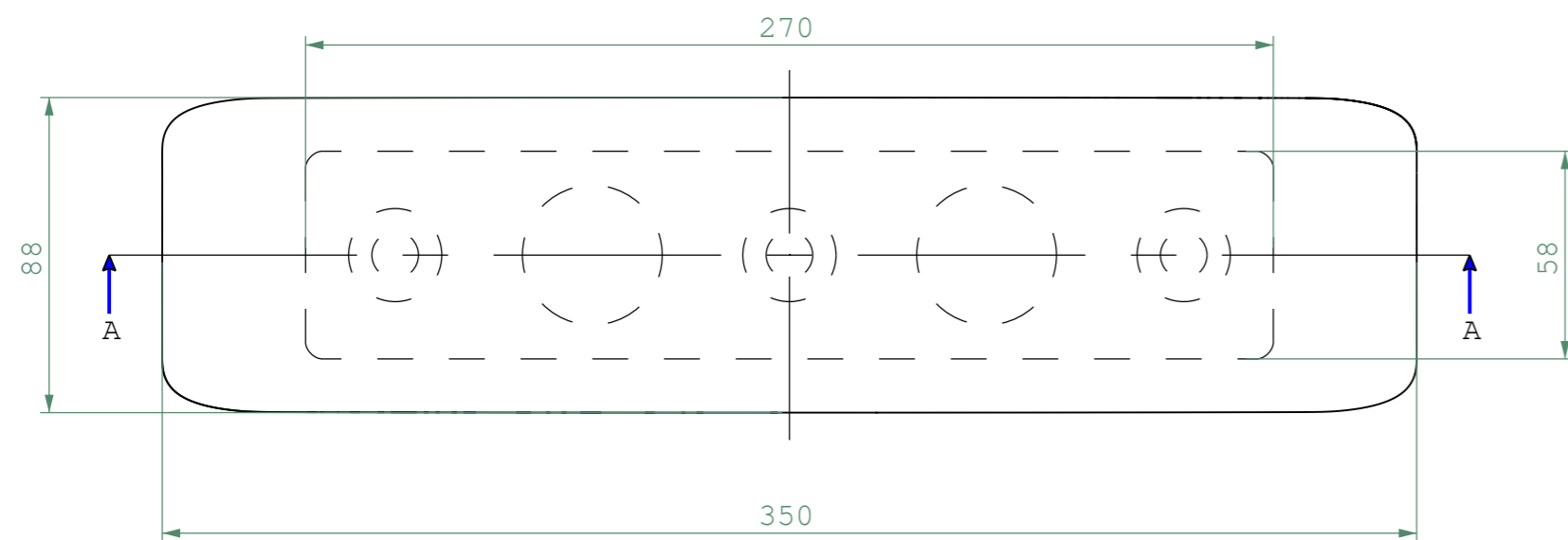
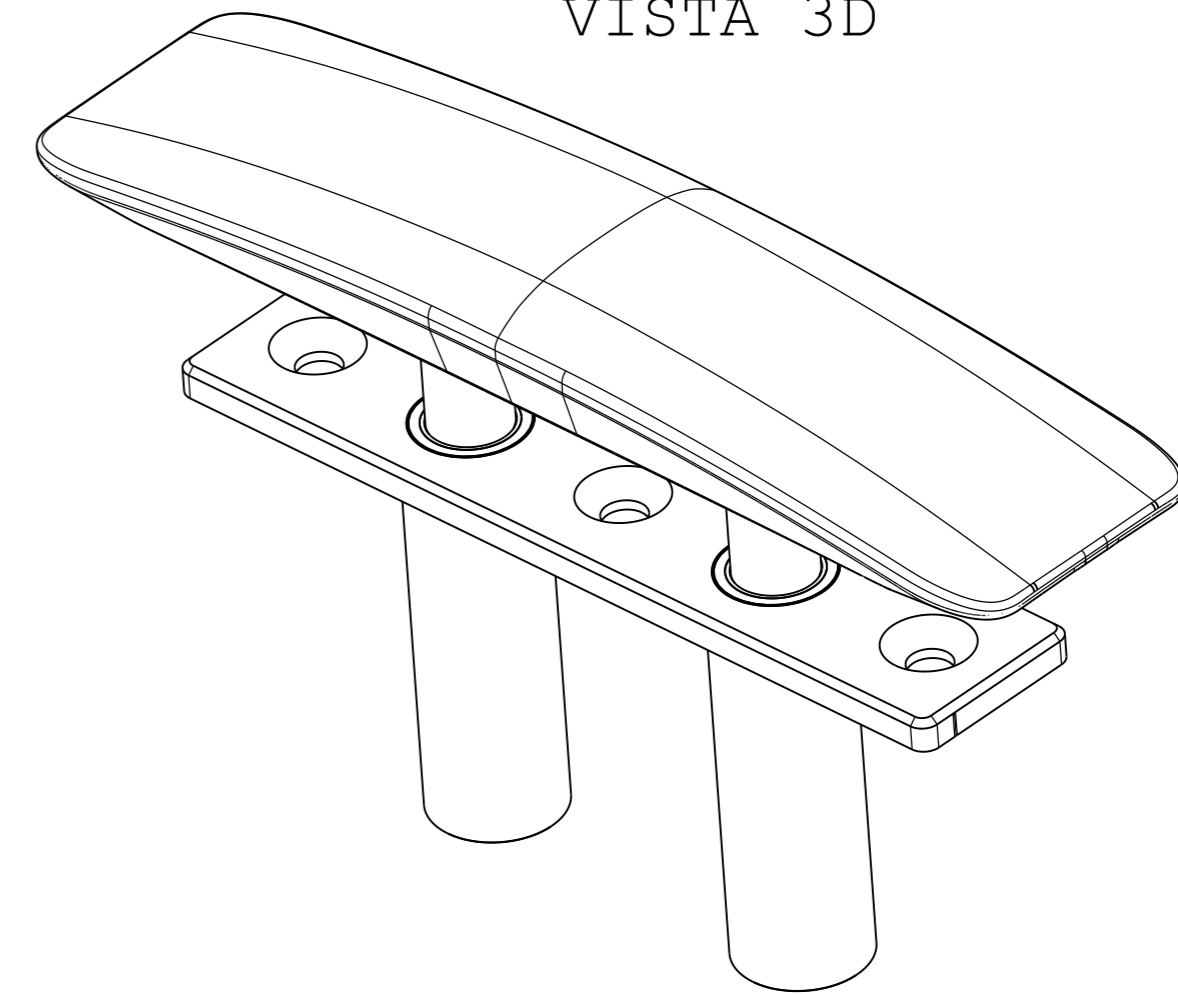



SEZIONE A-A



VISTA 3D



REVISIONS			
3D FILE CLEATS ASS 03-01	QTY	WEIGHT[kg] TABLE	
MATERIAL TABLE	SCALE 1:2	SURFACE TREATMENT / FINISHING	
ROUGHNESS 1.6/√	FORMAT A2	PROGRAM NAME CLEATS	
CUSTOMER I-CARBON	PART NUMBER ASS 03.01	REV 0	SHEET 1 / 1
 Via Albertini 36 60131 Ancona (AN) Tel:+39 071 2129064 E-mail:info@i-carbon.it Web:www.i-carbon.it		DRAWING NAME C 350	
		SHEET NAME	
THIS DRAWING AND THE CONTAINED INFORMATION IN IT ARE PROPERTY OF AMS AND/OR THE CUSTOMER, WITH PROHIBITION TO REPRODUCE OR TO DISCLOSE THEM WITHOUT A WRITTEN CONSENT		GEN.TOL. ISO 2768 T1 f	PROJECTION ISO 128