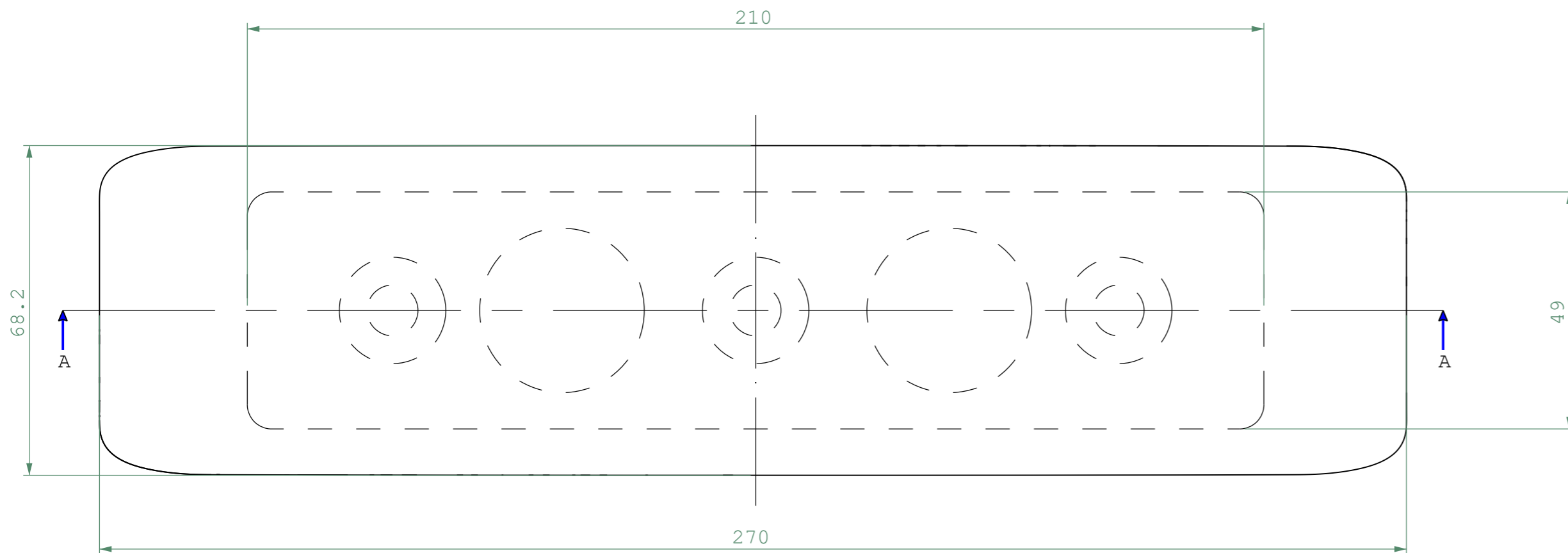
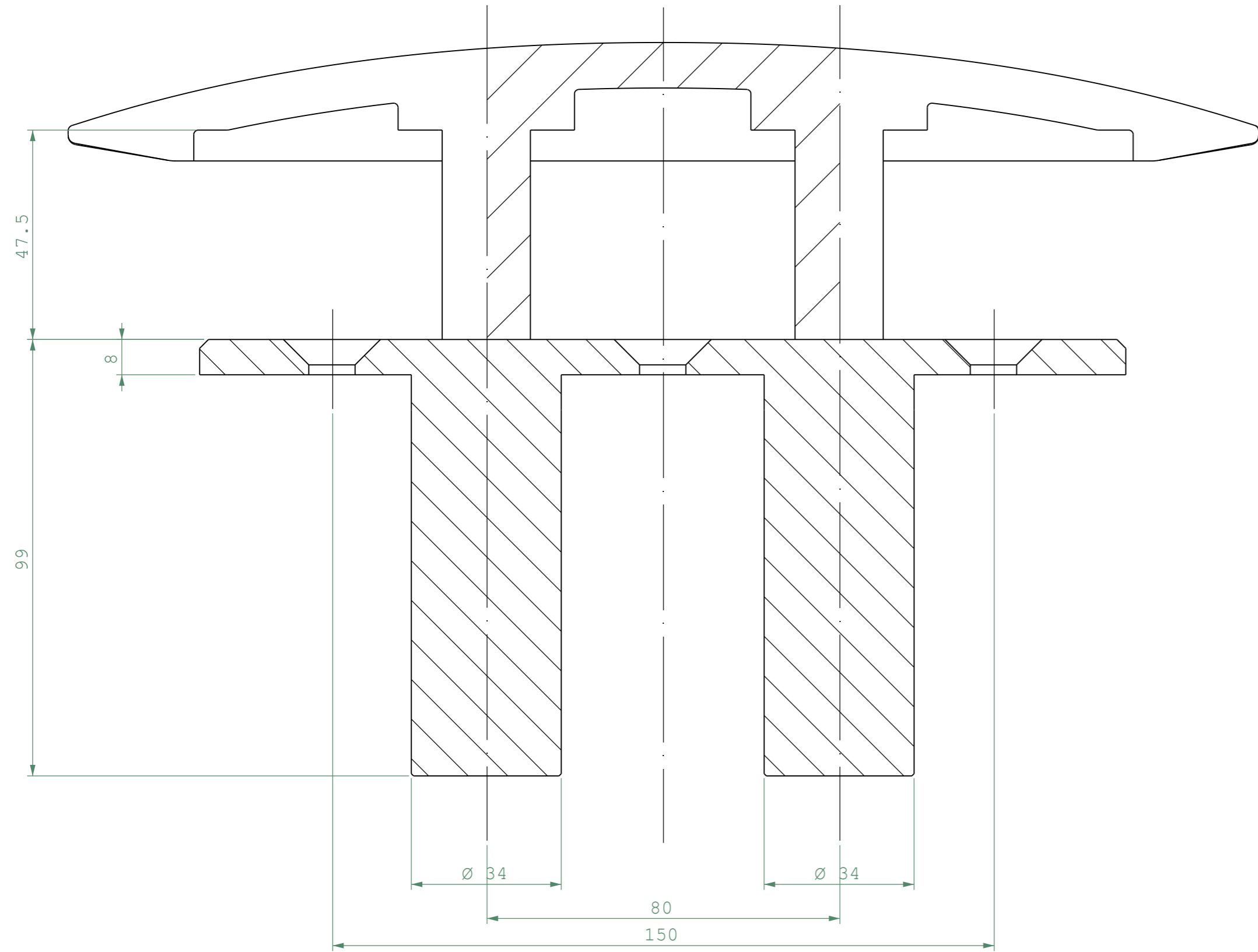
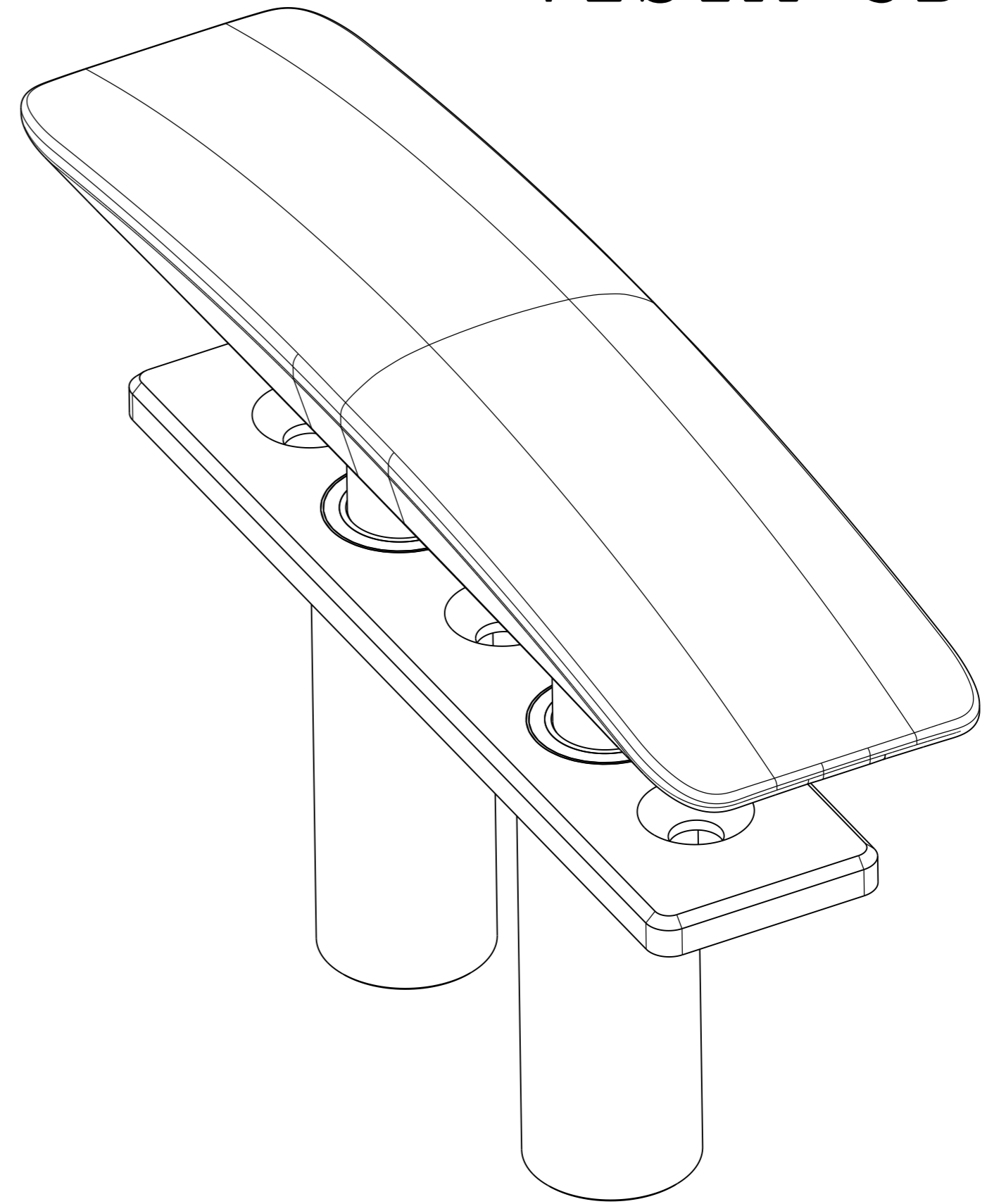



SEZIONE A-A



VISTA 3D



REVISIONS

3D FILE CLEATS ASS 02-01		QTY	WEIGHT [kg] TABLE	
MATERIAL TABLE	SCALE 1:1	SURFACE TREATMENT / FINISHING		
ROUGHNESS 1.6/	FORMAT A2	PROGRAM NAME CLEATS		
CUSTOMER I-CARBON	PART NUMBER ASS 02.01	REV 0	SHEET 1 / 1	
 Via Albertini 36 60131 Ancona (AN) Tel: +39 071 21129064 E-mail: info@i-carbon.it Web: www.i-carbon.it		DRAWING NAME C 270		
		SHEET NAME		
THIS DRAWING AND THE CONTAINED INFORMATION IN IT ARE PROPERTY OF AMS AND/OR THE CUSTOMER, WITH PROHIBITION TO REPRODUCE OR TO DISCLOSE THEM WITHOUT A WRITTEN CONSENT		GEN.TOL. ISO 2768 T1 f	PROJECTION ISO 128 