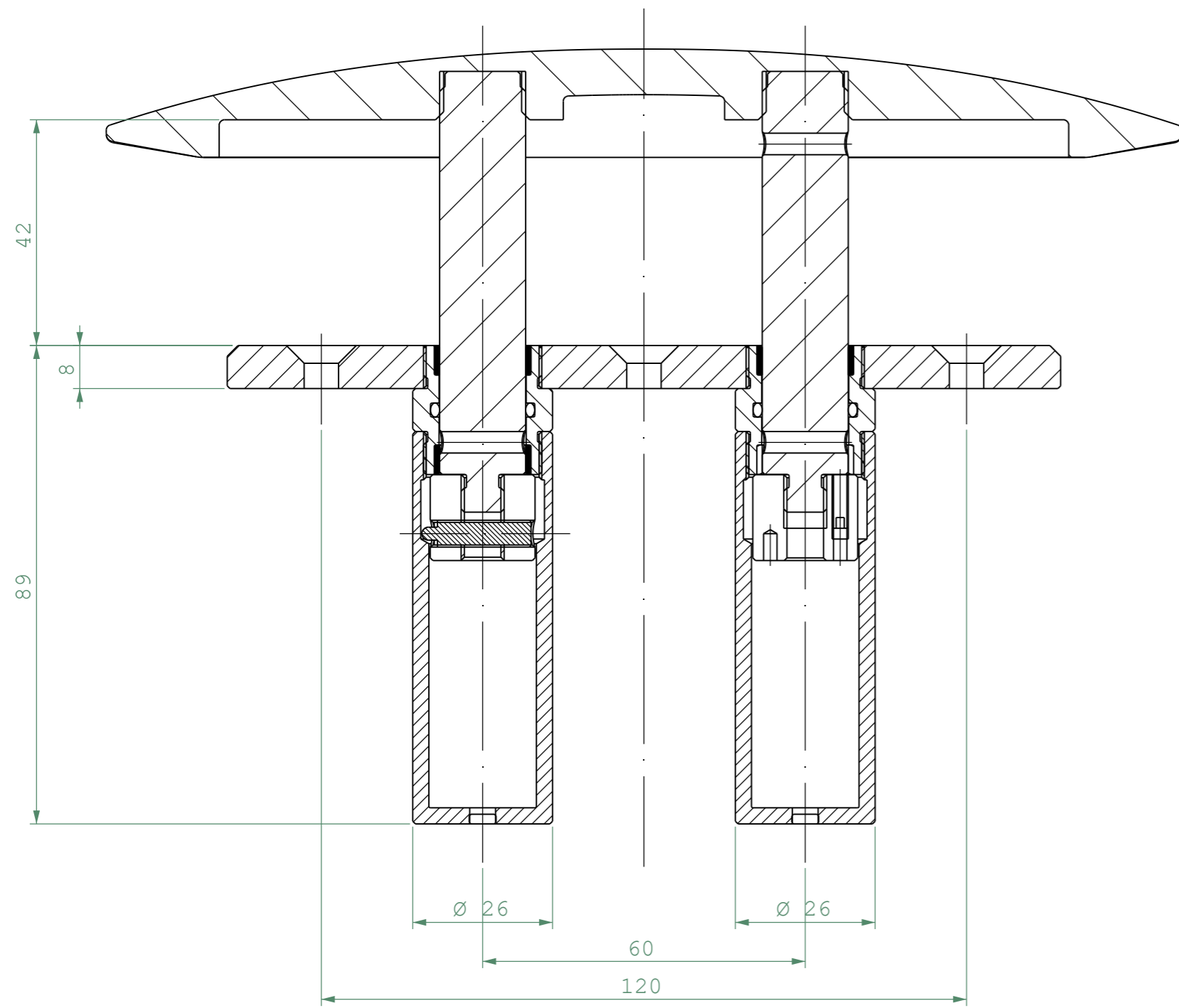
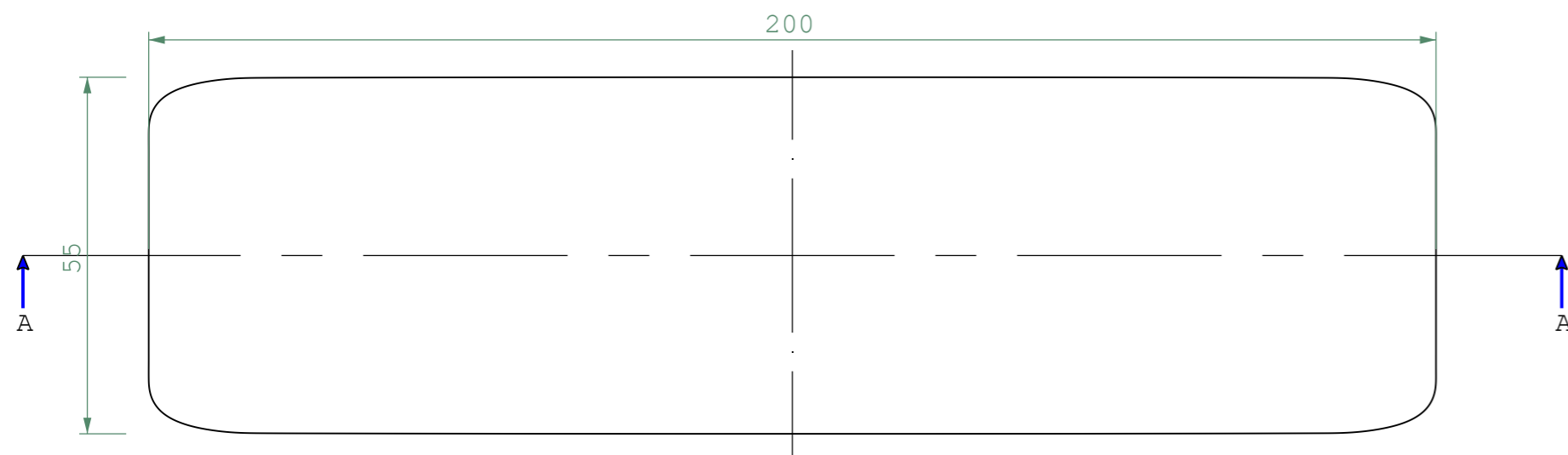
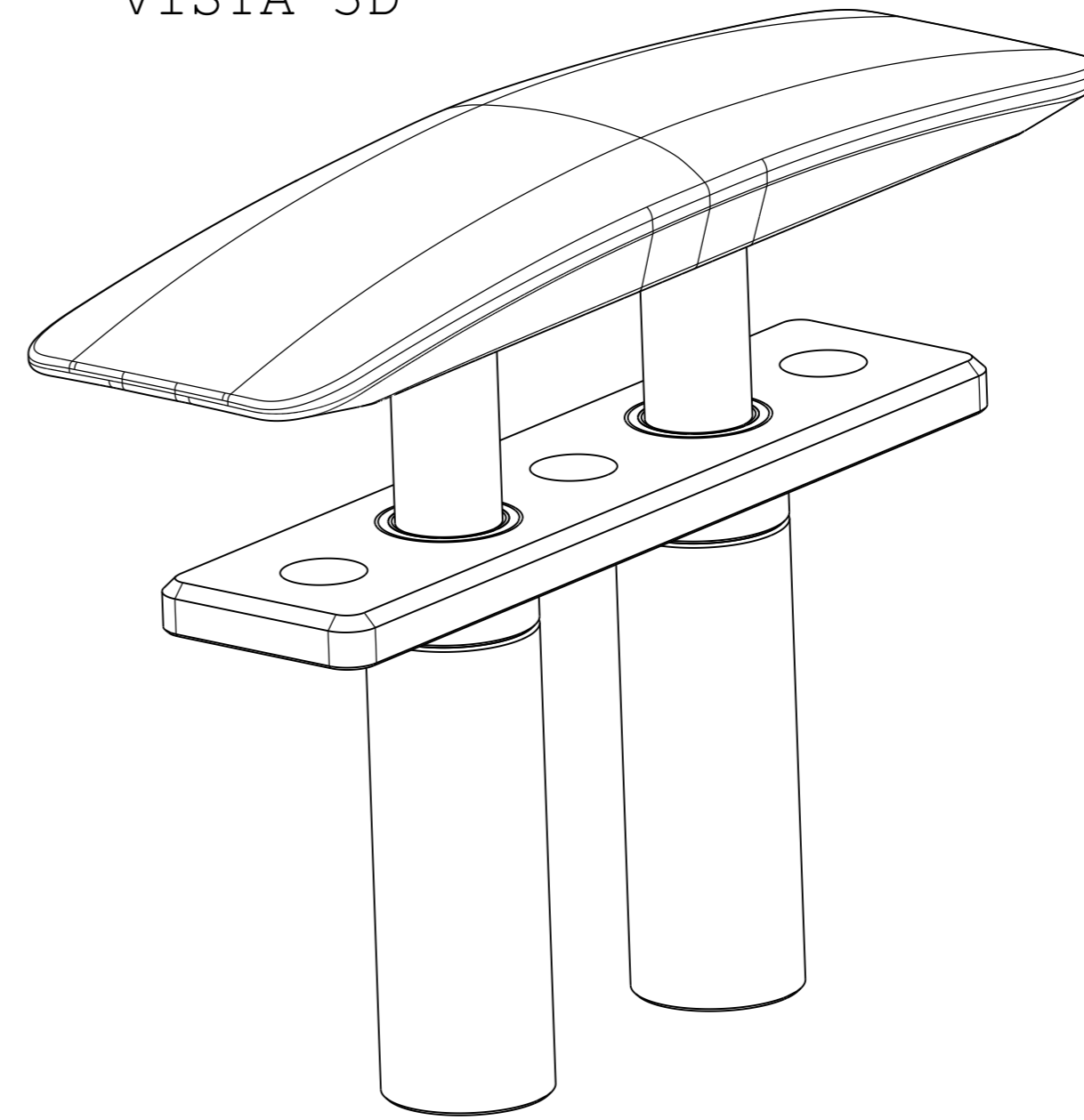



SEZIONE A-A



VISTA 3D



REVISIONS

3D FILE CLEATS ASS 01-01		QTY	WEIGHT [kg] TABLE
MATERIAL TABLE	SCALE 1:1	SURFACE TREATMENT / FINISHING	
ROUGHNESS 1.6/√	FORMAT A2	PROGRAM NAME CLEATS	
CUSTOMER I-CARBON	PART NUMBER ASS 01.01	REV B	SHEET 1 / 1
 Via Albertini 36 60131 Ancona (AN) Tel: +39 071 21129064 E-mail: info@i-carbon.it Web: www.i-carbon.it	DRAWING NAME C_200		SHEET NAME
	GEN.TOL. ISO 2768 T1 f	PROJECTION ISO 128	