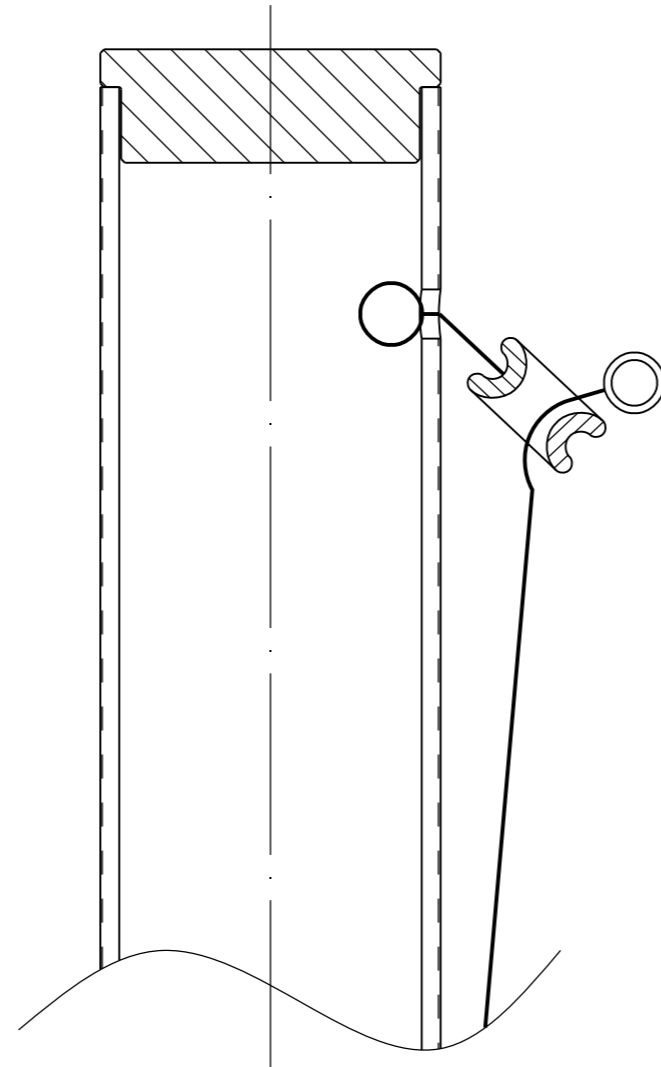
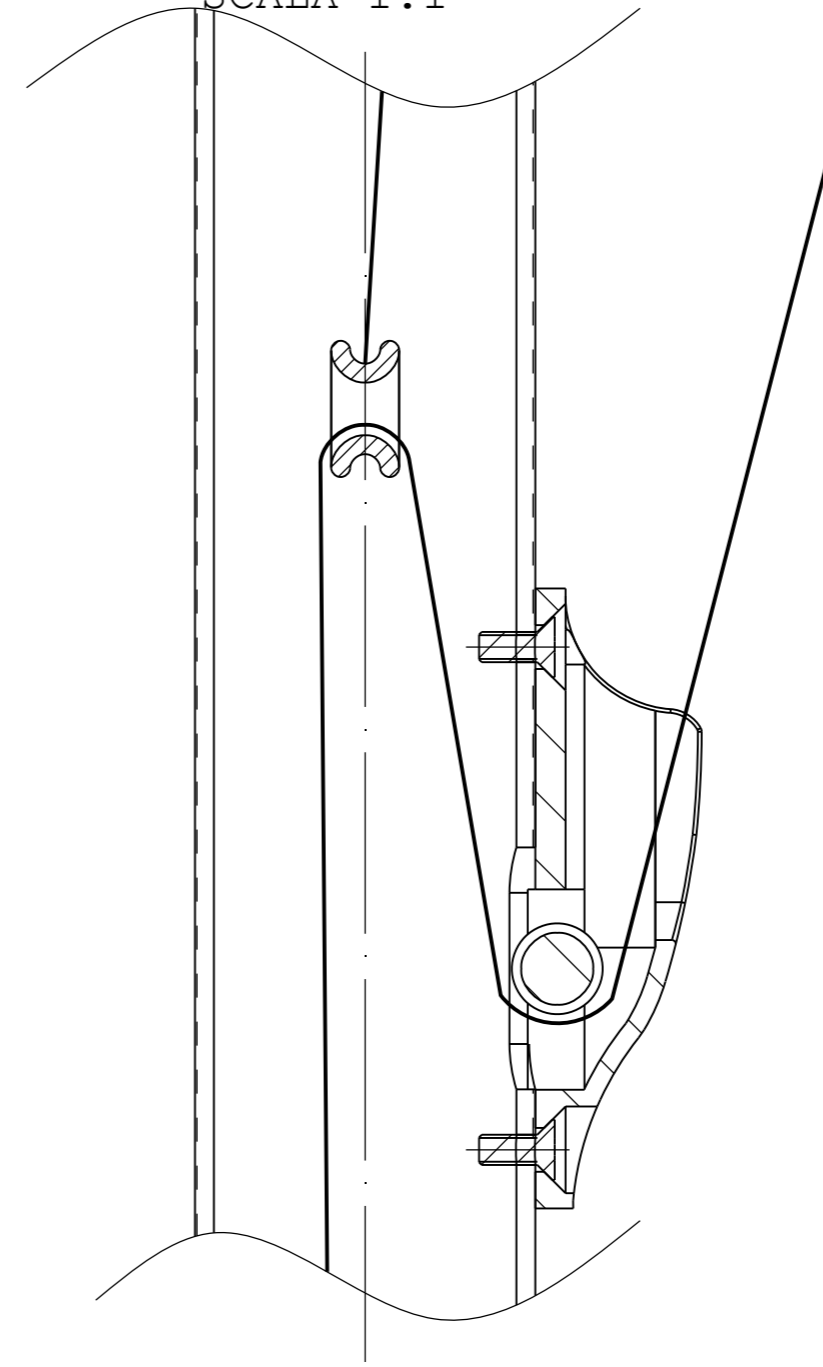


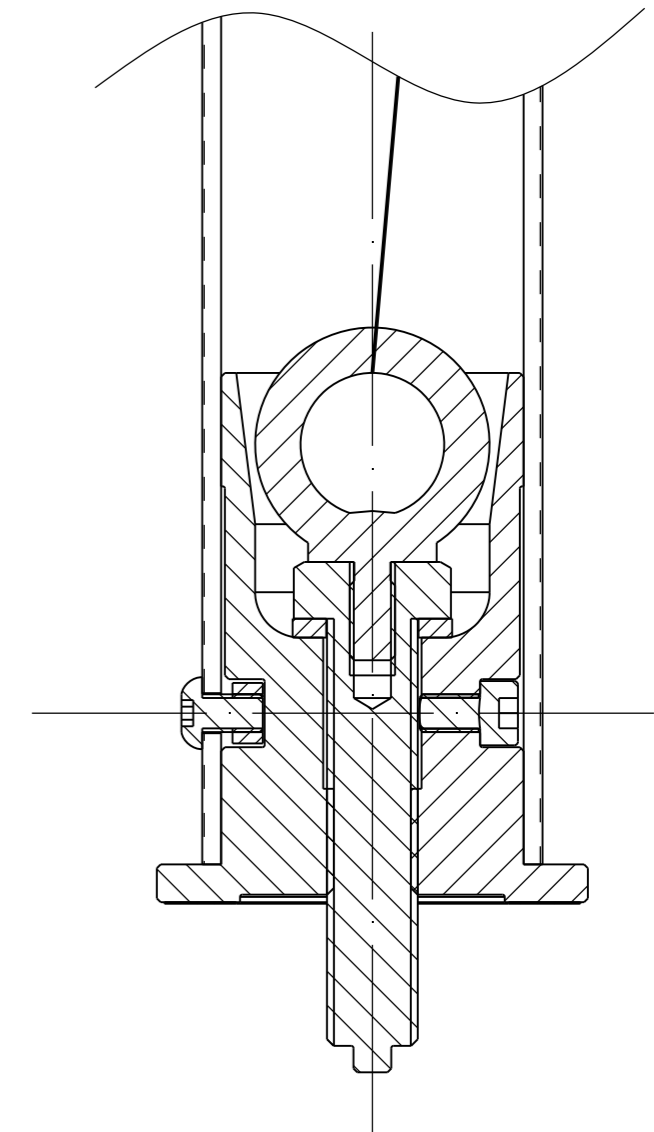
DETTAGLIO A
SCALA 1:1



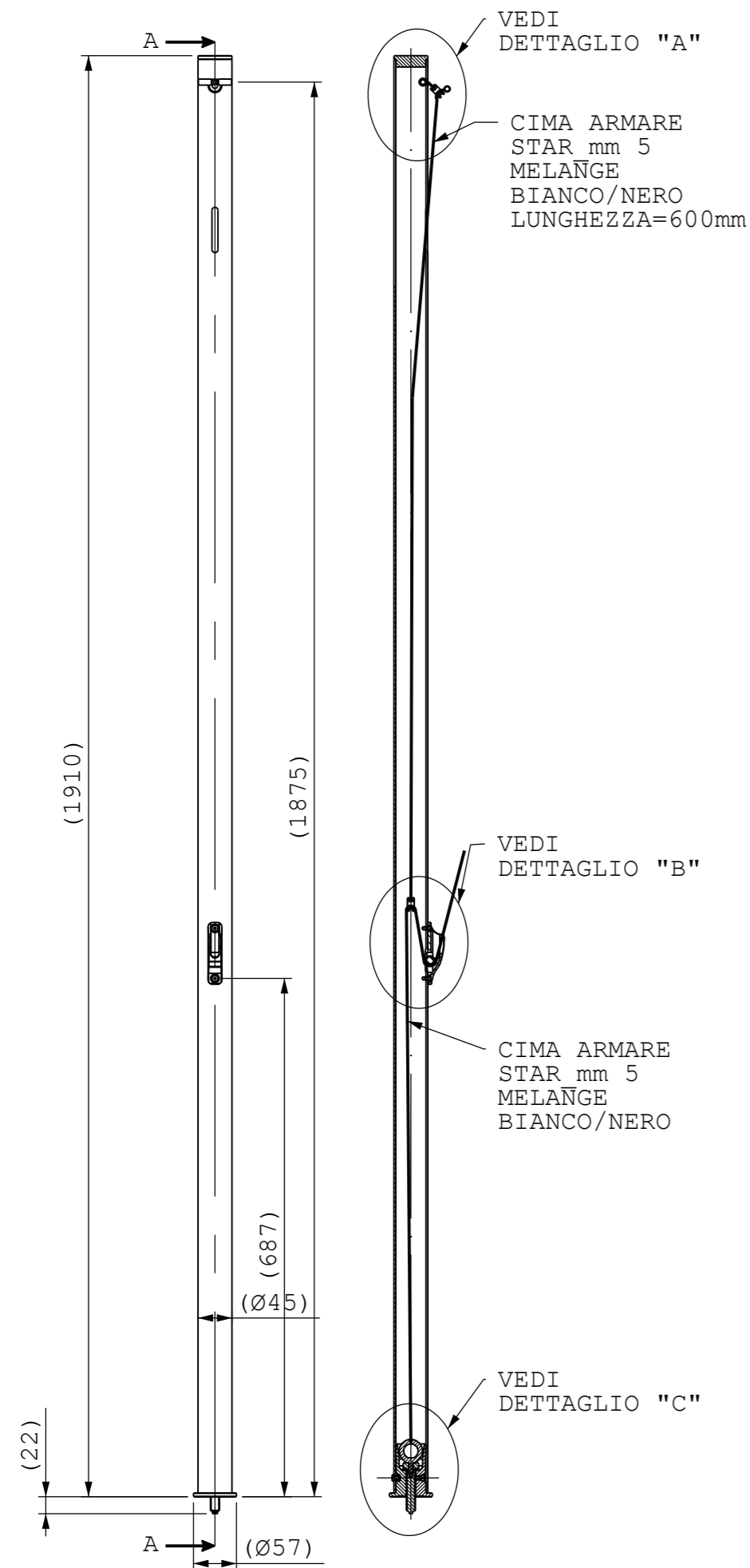
DETTAGLIO B
SCALA 1:1



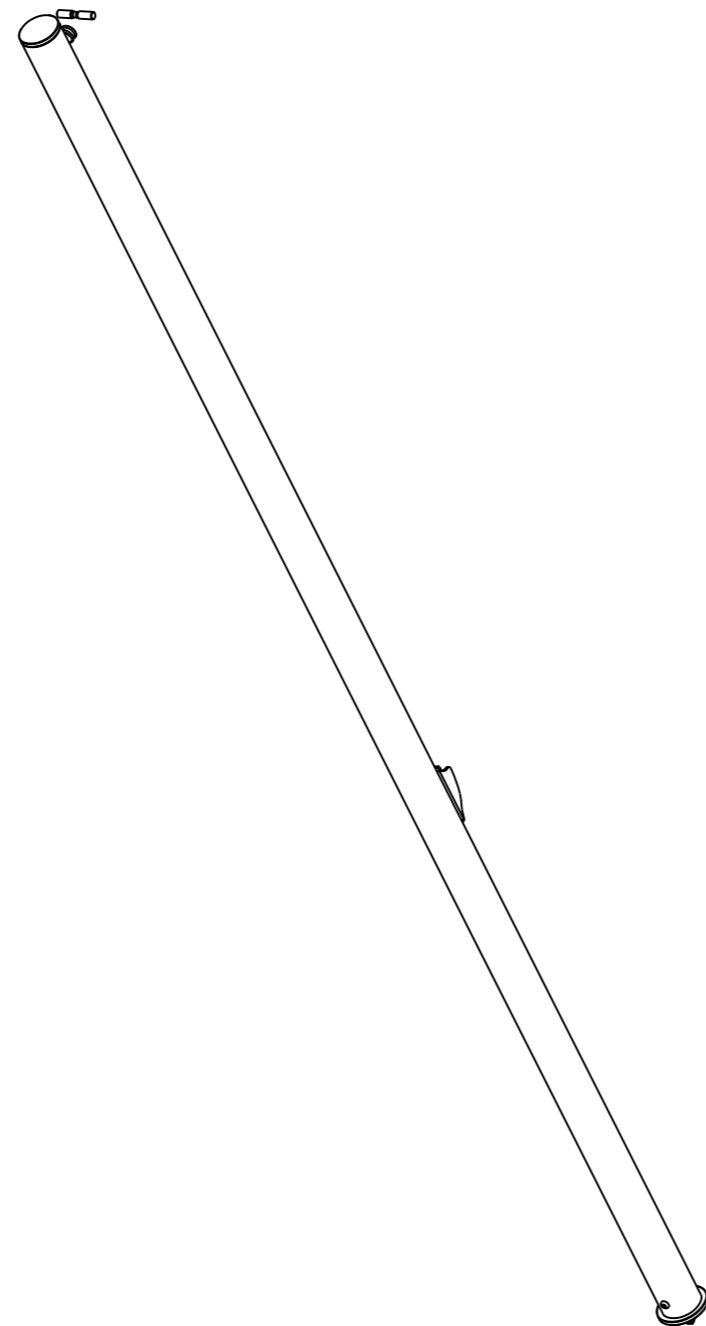
DETTAGLIO C
SCALA 1:1




SEZIONE A-A



VISTA 3D
SCALA 1:8



3D FILE AWNINGS ASS 01.08 PALO 45 1900 PARANCO		QTY	WEIGHT [kg] TABLE
MATERIAL TABLE	SCALE 1:8	SURFACE TREATMENT / FINISHING	
	FORMAT A2		
CUSTOMER I-CARBON			SHEET 1
 Via Albertini 36 60131 Ancona (AN) Tel+39 071 21129064 E-mail info@i-carbon.it Web www.i-carbon.it		SHEET NAME PALO 45 1900 PARANCO	
<small>THIS DRAWING AND THE CONTAINED INFORMATION IN IT ARE PROPERTY OF AMS AND/OR THE CUSTOMER, WITH PROHIBITION TO REPRODUCE OR TO DISCLOSE THEM WITHOUT A WRITTEN CONSENT</small>			