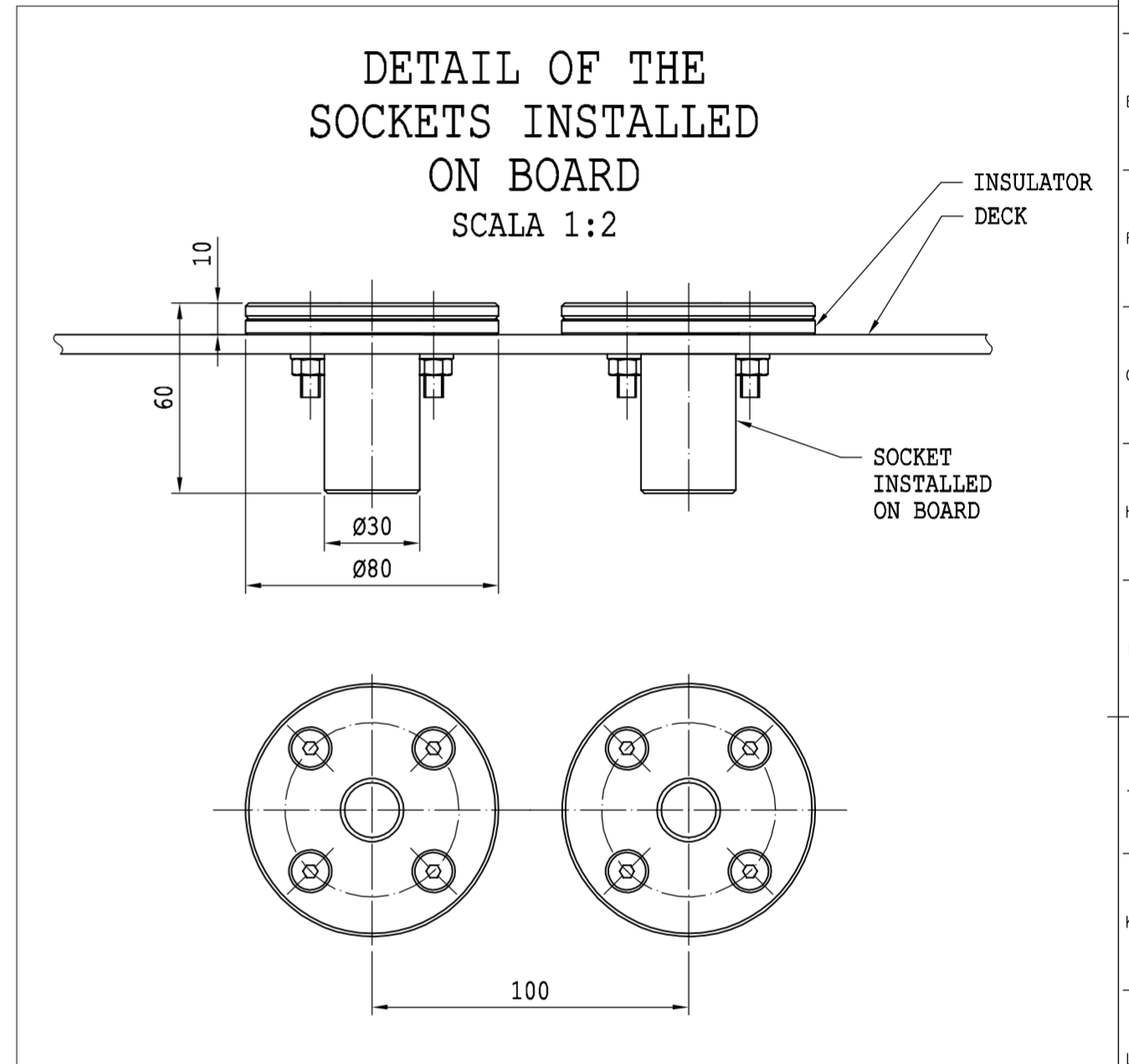


SPECIAL NOTES

- A. THE POSITION CAN BE CHANGED IN ORDER TO FIT THE FENDER TO THE INSTALLATION AREA.
- B. THE OVERALL WEIGHT OF THE FENDER IS 20kg.



A	FC	FP	FS	28/02/20	DRAWING LANGUAGE MODIFIED	
0	FS	FP	FS	21/02/20	FIRST ISSUE	
REV	DRAWN	CHECKED	ANALYSIS	DATE	CHANGE	
REVISIONS						
3D FILE <i>FENDER_ASS_00-00</i>				QTY	WEIGHT [kg]	
					20	
MATERIAL		SCALE	SURFACE TREATMENT / FINISHING			
		1:5	GLOSSY CARBON LOOK			
ROUGHNESS		FORMAT	PROGRAM NAME			
1.6/√		A2	FENDER			
CUSTOMER			PART NUMBER	REV	SHEET	
			ASS_00.00	A	1/1	
Via Albertini 36 60131 Ancona (AN) Tel +39 071 9946104 Fax +39 071 9946105 E-mail info@ams-italia.it Web www.ams-italia.it			DRAWING NAME			
			FENDER_GENERAL_ASSEMBLY_DRAWING			
			SHEET NAME			
FENDER_GENERAL_ASSEMBLY_DRAWING				GEN.TOL.		
				ISO 2768 T1 f		PROJECTION
						ISO 128