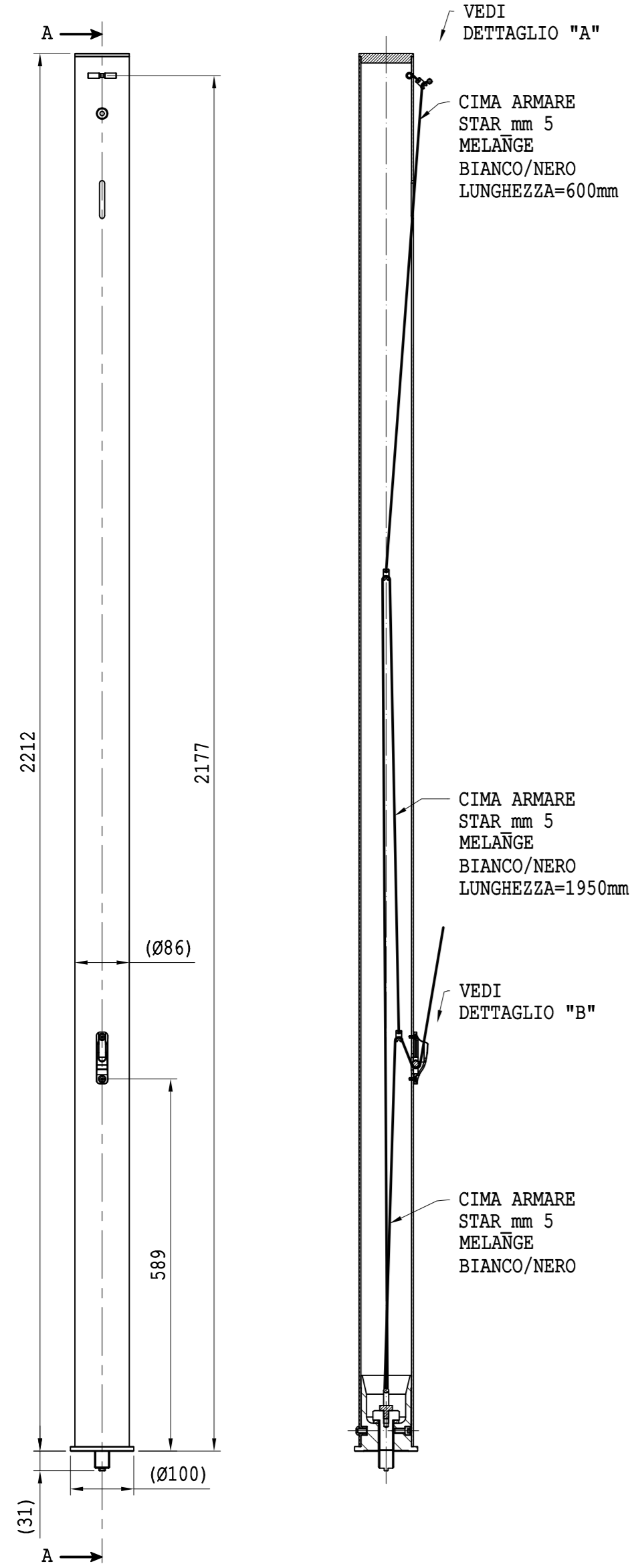
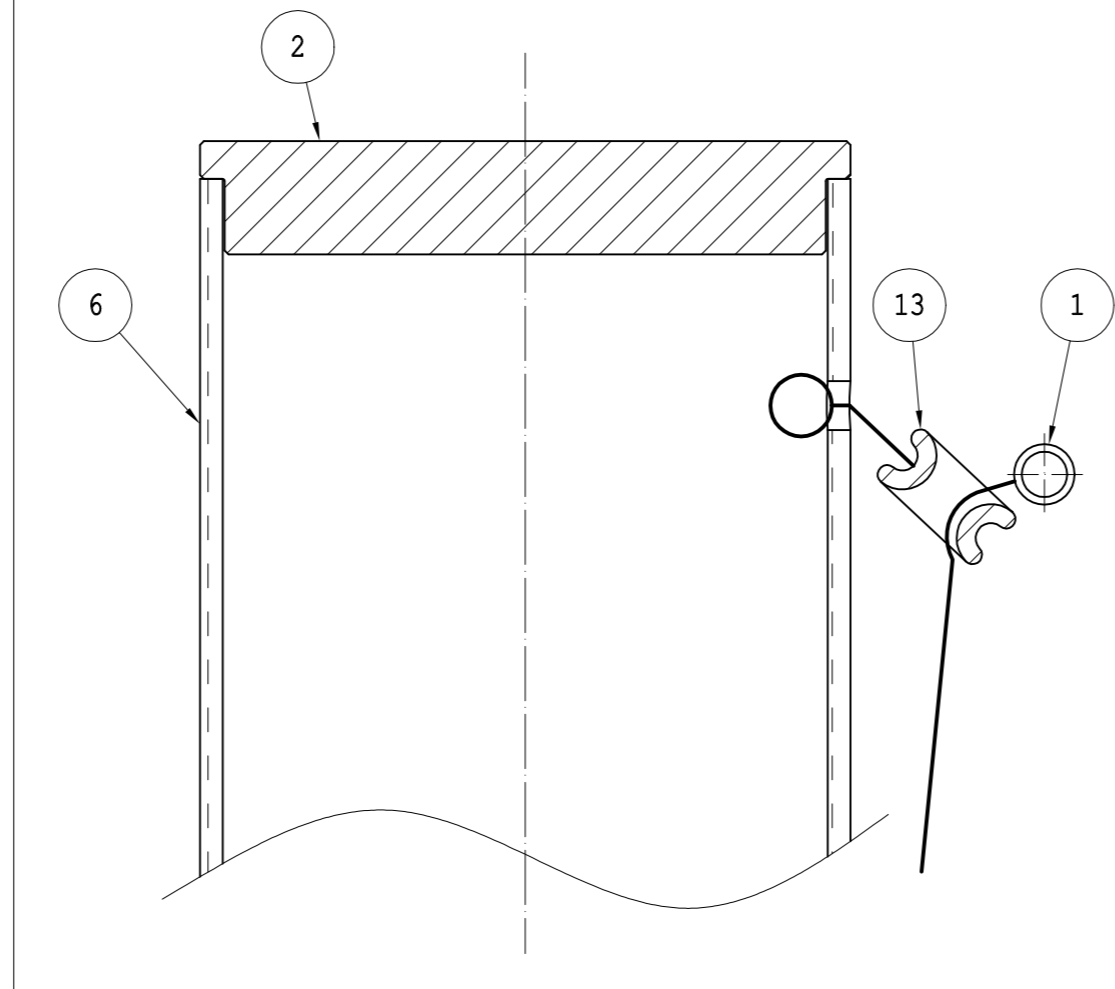


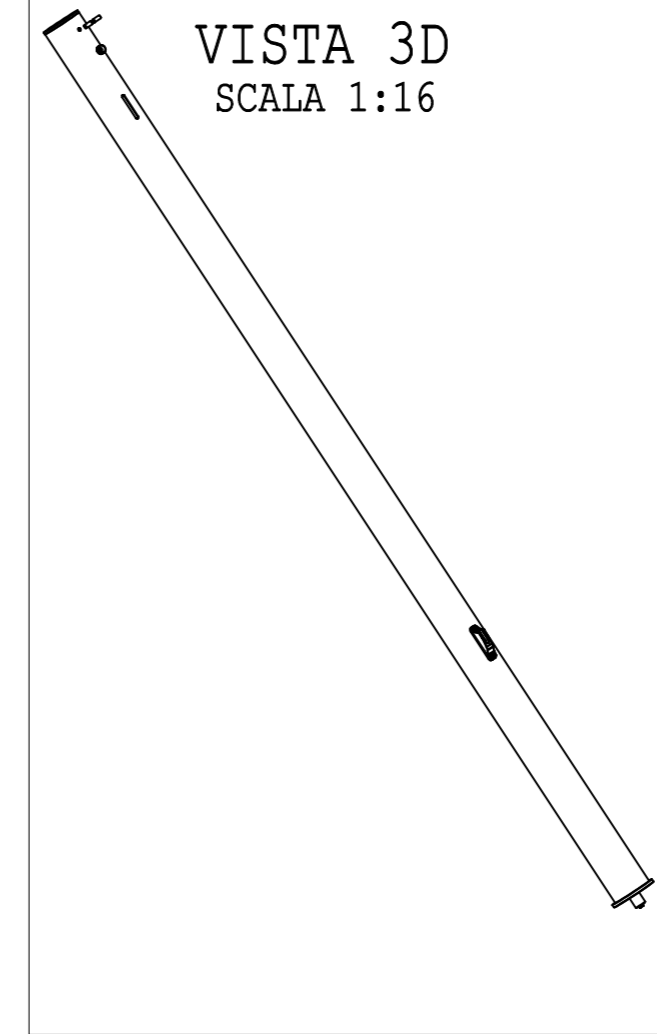
SEZIONE A-A



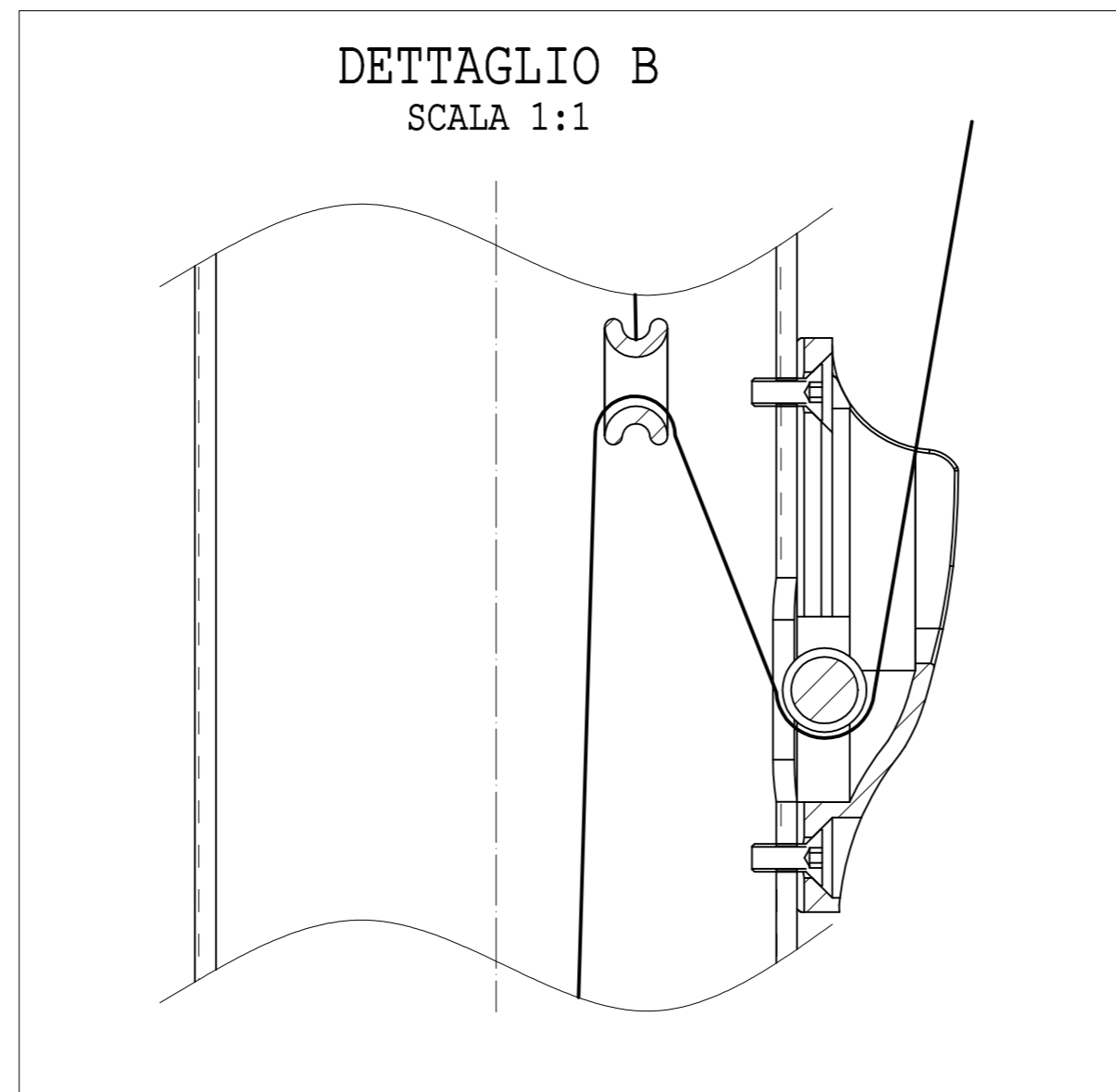
DETTAGLIO A
SCALA 1:1




VISTA 3D
SCALA 1:16



DETTAGLIO B
SCALA 1:1



3D FILE		QTY	WEIGHT [kg] TABLE	
MATERIAL TABLE	SCALE 1:8			
ROUGHNESS 1.6	FORMAT A2			
CUSTOMER I-CARBON	PART NUMBER IP8622.01	REV 0	SHEET 1 / 1	
 Via Albertini 36 60131 Ancona (AN) Tel +39 071 21129064 E-mail info@i-carbon.it Web www.i-carbon.it		DATE 02/12/20		
		GEN. TOL. ISO 2768 T1 f	PROJECTION ISO 128	

THIS DRAWING AND THE CONTAINED INFORMATION IN IT ARE PROPERTY OF AMS AND/OR THE CUSTOMER, WITH PROHIBITION TO REPRODUCE OR TO DISCLOSE THEM WITHOUT A WRITTEN CONSENT