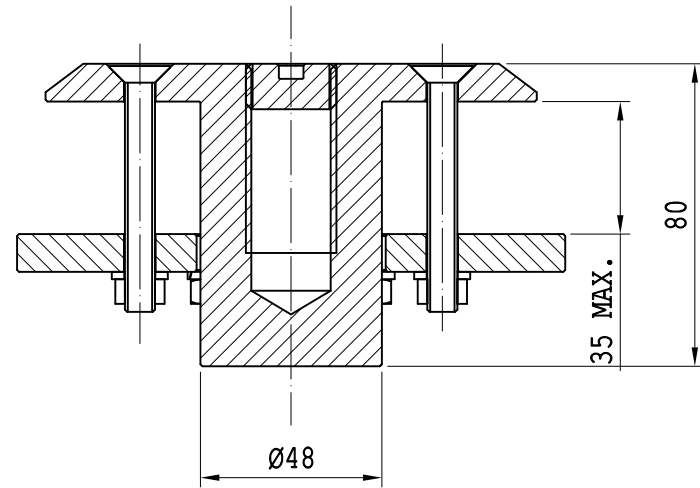
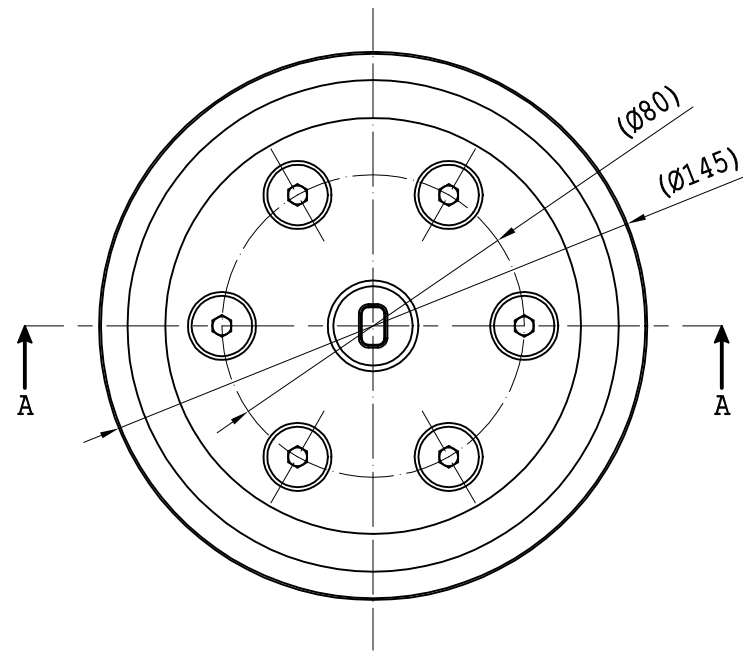
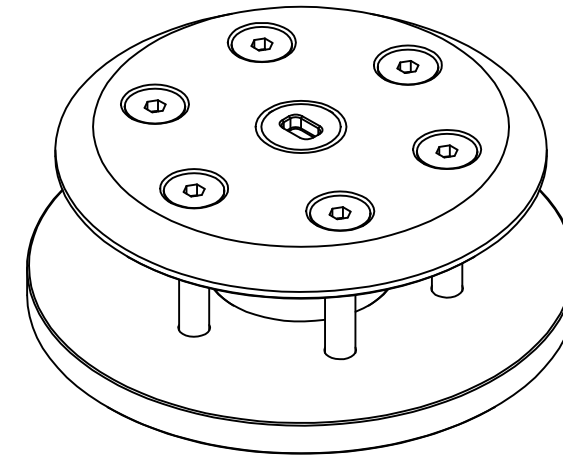



# SEZIONE A-A



# VISTA 3D



		QTY	WEIGHT [kg]	
			<i>TABLE</i>	
MATERIAL <i>TABLE</i>	SCALE <i>1:2</i>	SURFACE TREATMENT / FINISHING		
ROUGHNESS $1.6 \sqrt{\text{ }}$	FORMAT <i>A3</i>	PROGRAM NAME <i>AWNINGS</i>		
CUSTOMER <i>I-CARBON</i>	PART NUMBER <i>IP 8600</i>	REV <i>A</i>	SHEET <i>1 / 1</i>	
 Via Albertini 36 60131 Ancona (AN) Tel +39 071 21129064 E-mail info@i-carbon.it Web www.i-carbon.it		DRAWING NAME		
		SHEET NAME		
THIS DRAWING AND THE CONTAINED INFORMATION IN IT ARE PROPERTY OF AMS AND/OR THE CUSTOMER, WITH PROHIBITION TO REPRODUCE OR TO DISCLOSE THEM WITHOUT A WRITTEN CONSENT		GEN.TOL. ISO 2768 T1 f	PROJECTION ISO 128	