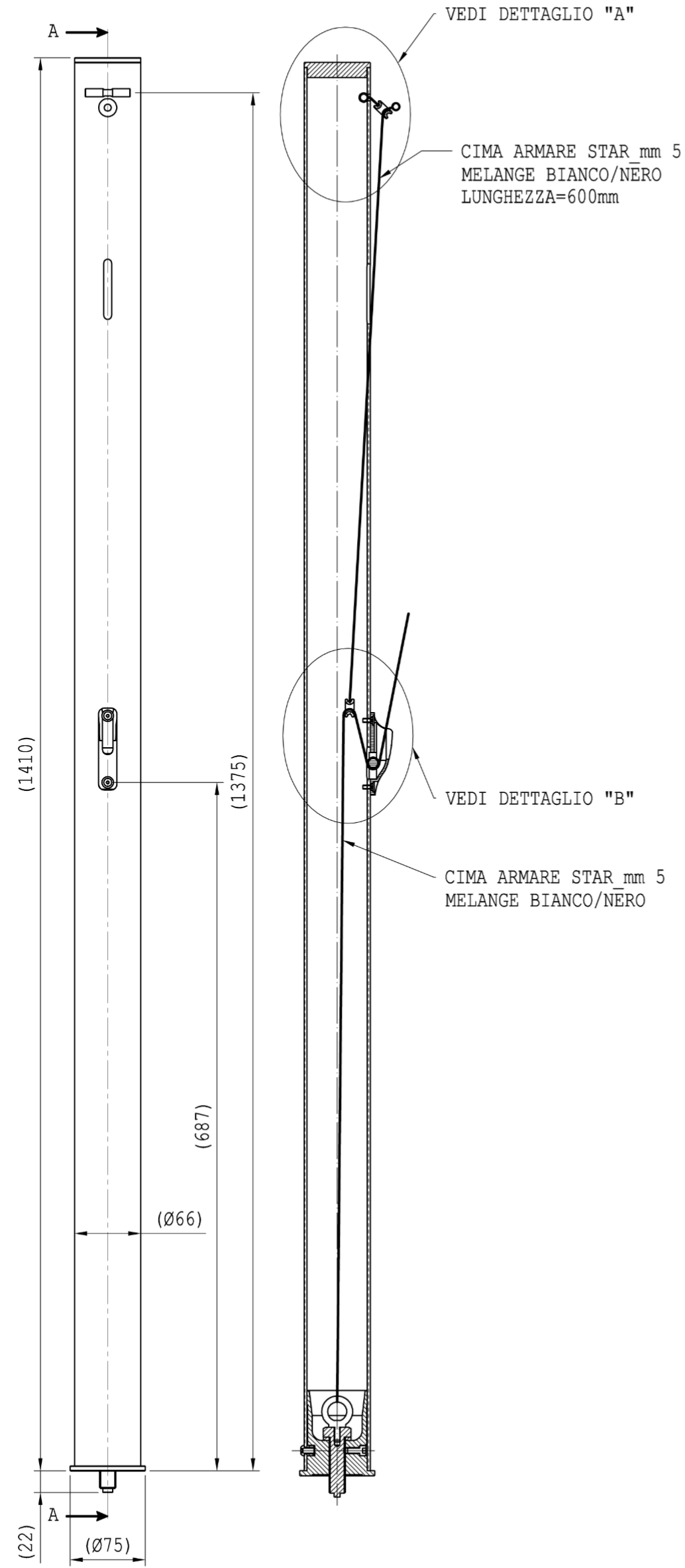
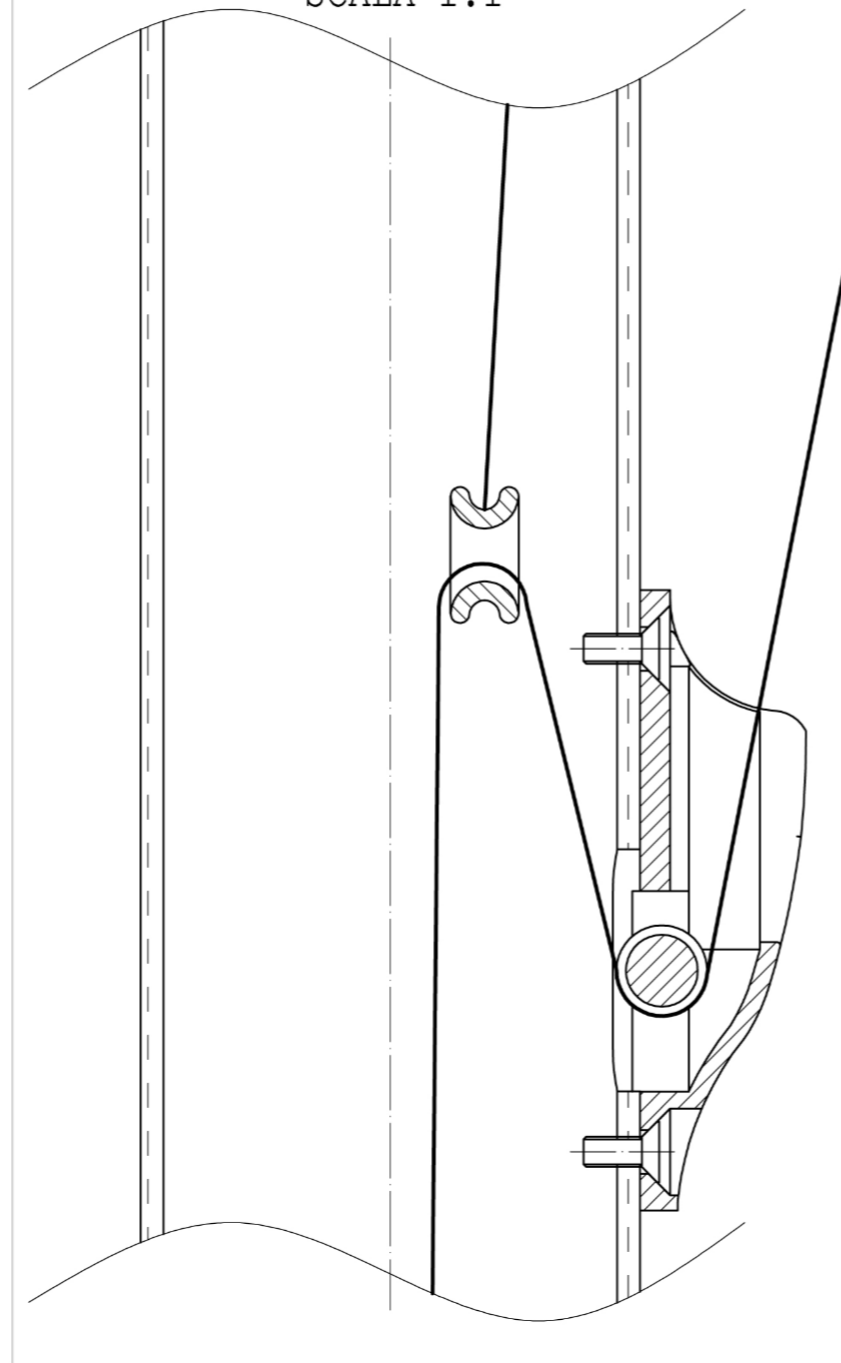


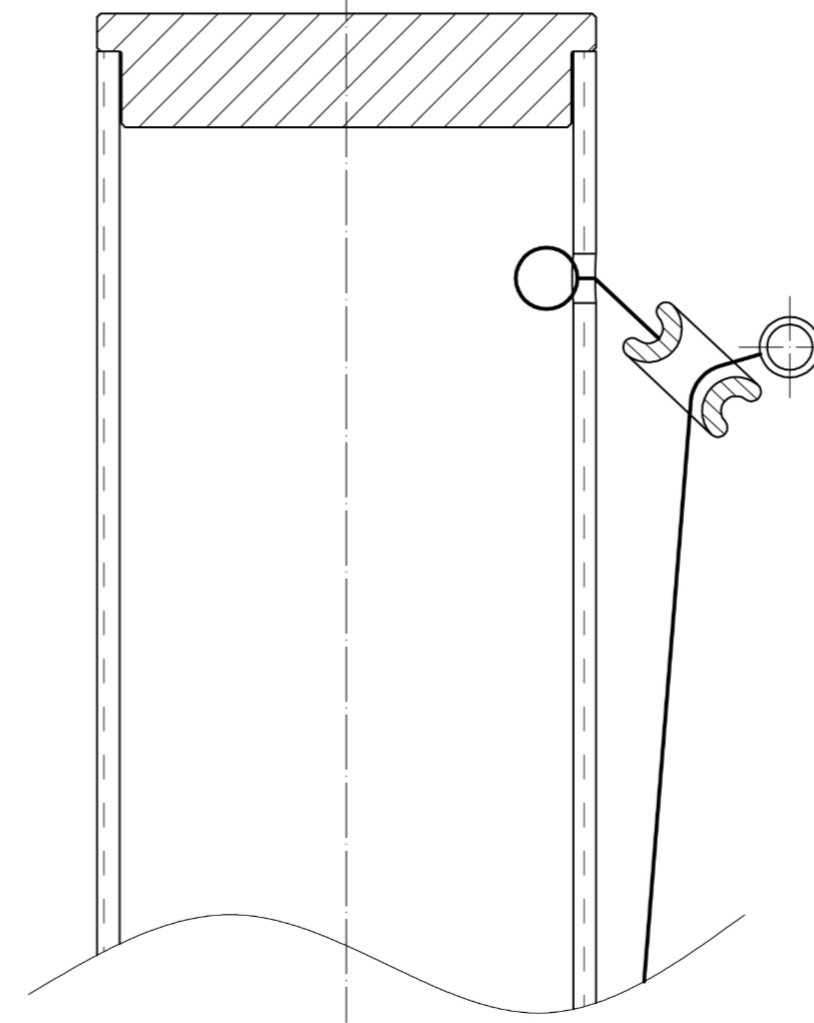
SEZIONE A-A



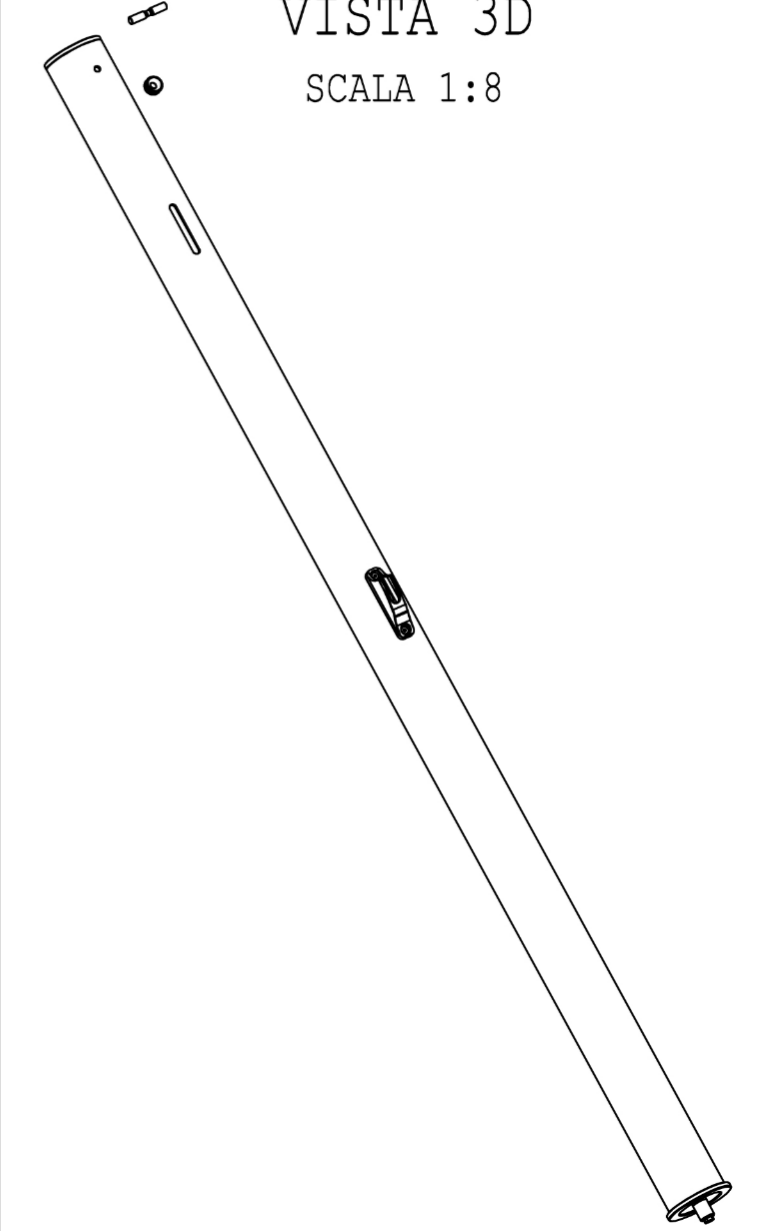
DETTAGLIO B
SCALA 1:1




DETTAGLIO A
SCALA 1:1



VISTA 3D
SCALA 1:8



		QTY	WEIGHT [kg]	
		TABLE		
MATERIAL	SCALE	SURFACE TREATMENT / FINISHING		
TABLE	1:5			
ROUGHNESS	FORMAT			
	1.6/√			
CUSTOMER	PART NUMBER	REV	SHEET	
I-CARBON	IP6614.01	A	1 / 1	
 Via Albertini 36 60131 Ancona (AN) Tel +39 071 21129064 E-mail info@i-carbon.it Web www.i-carbon.it		DATE		
		25/11/20		
THIS DRAWING AND THE CONTAINED INFORMATION IN IT ARE PROPERTY OF AMS AND/OR THE CUSTOMER, WITH PROHIBITION TO REPRODUCE OR TO DISCLOSE THEM WITHOUT A WRITTEN CONSENT		GEN. TOL.	PROJECTION	
		ISO 2768 T1 f	ISO 128	