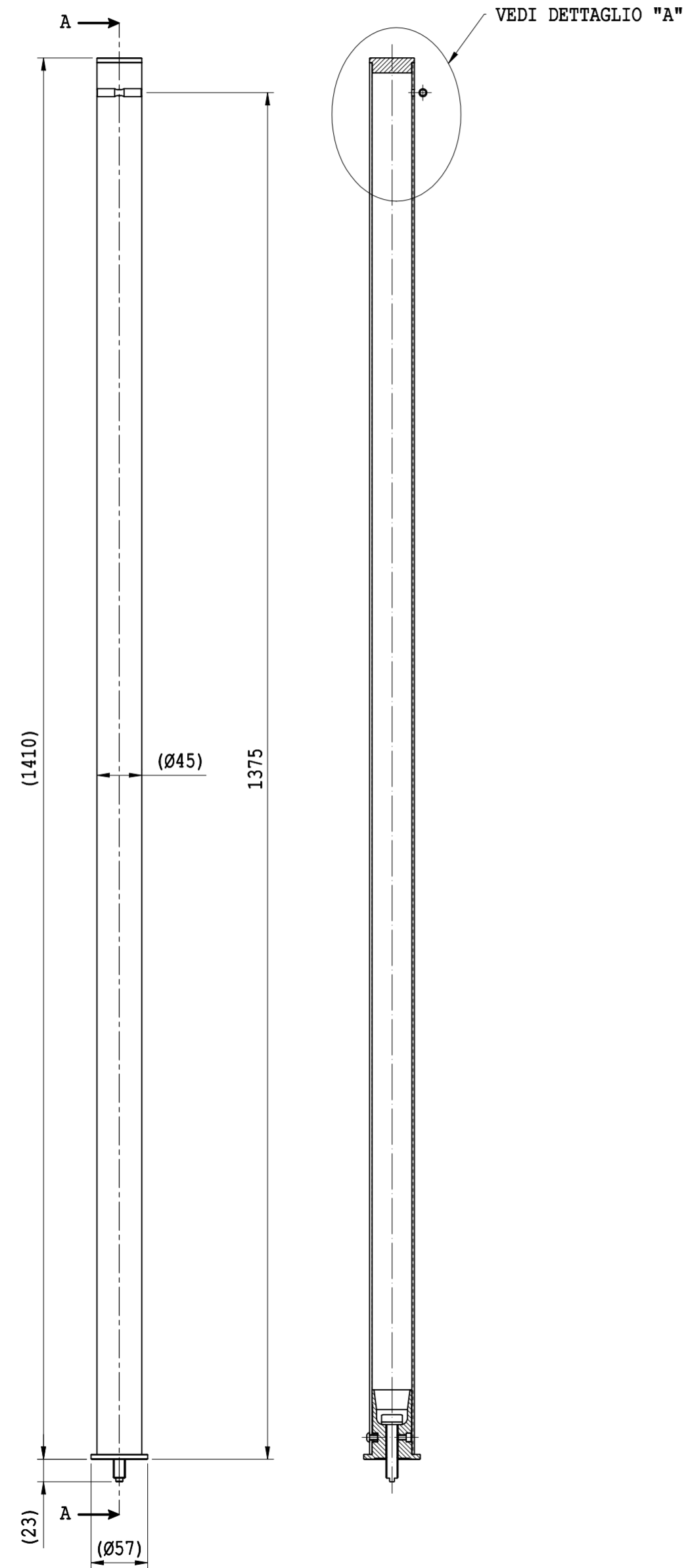
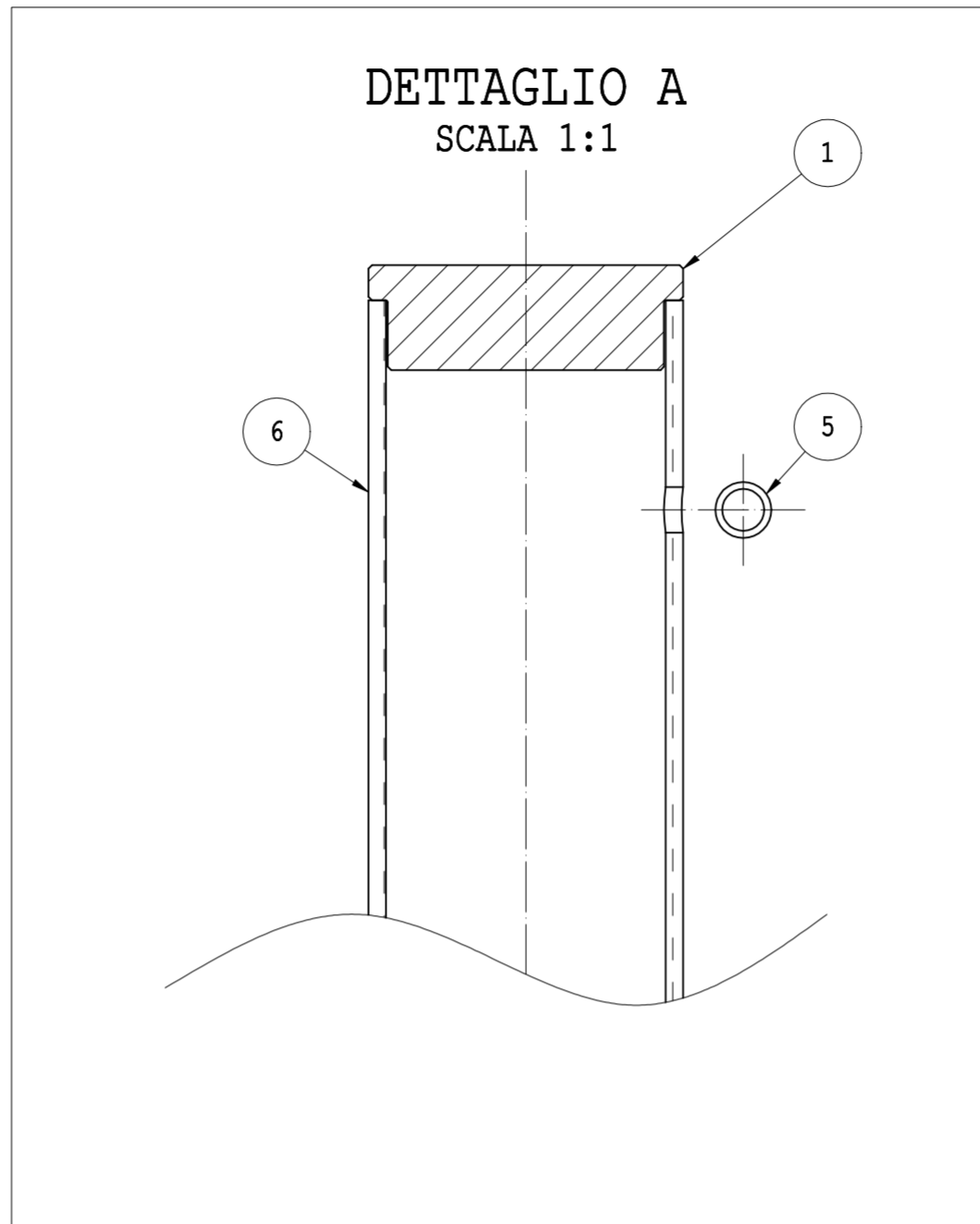


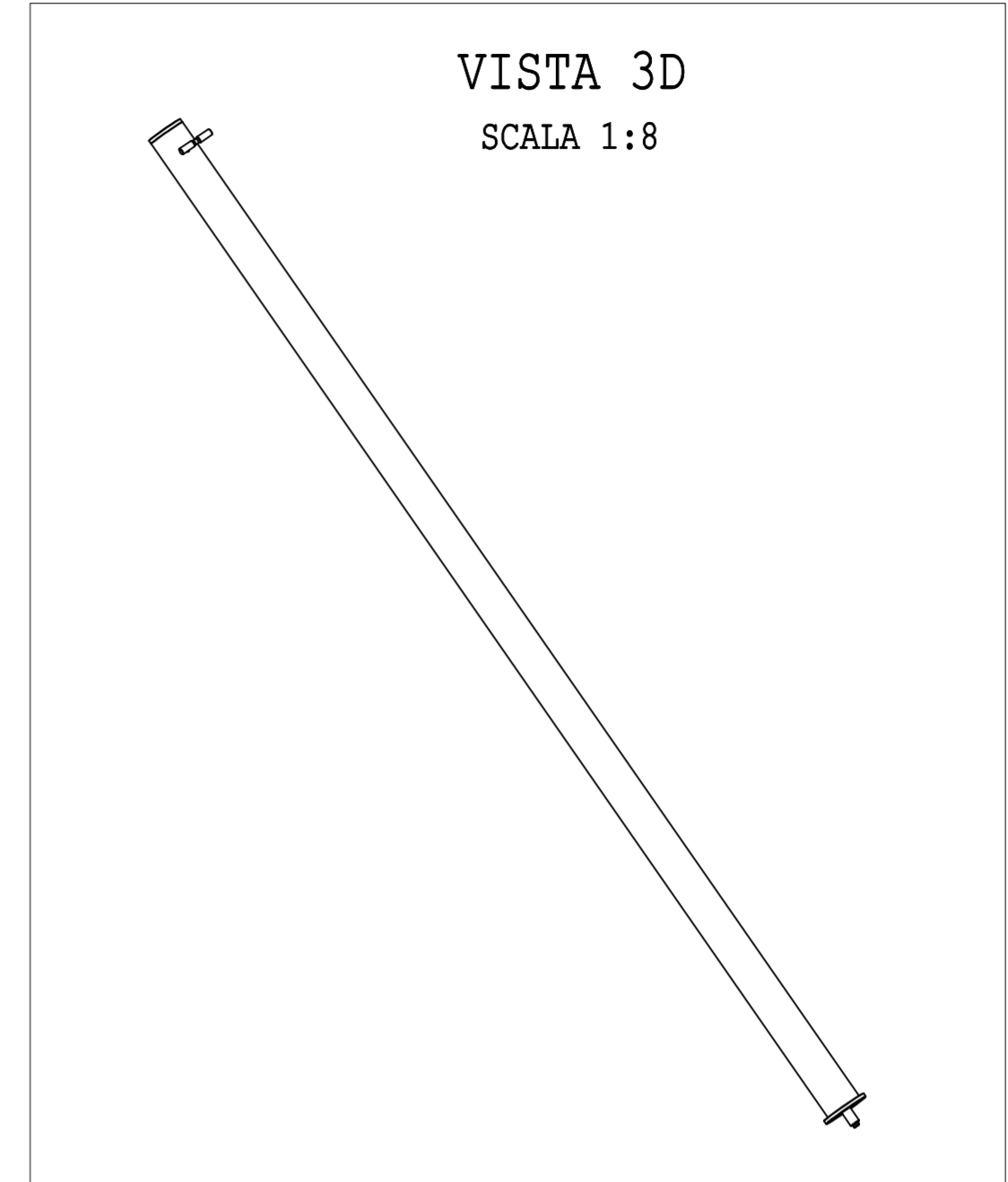
SEZIONE A-A


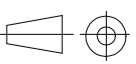


DETTAGLIO A
SCALA 1:1



VISTA 3D
SCALA 1:8



MATERIAL <i>TABLE</i>		SCALE <i>1:5</i>	SURFACE TREATMENT / FINISHING		QTY	WEIGHT [kg] <i>TABLE</i>
ROUGHNESS 1.6		FORMAT <i>A2</i>				
CUSTOMER <i>I-CARBON</i>		PART NUMBER IP4514	REV <i>0</i>	SHEET <i>1 / 1</i>		
 Via Albertini 36 60131 Ancona (AN) Tel +39 071 21129064 E-mail info@i-carbon.it Web www.i-carbon.it		DATE <i>25/11/20</i>				
		GEN. TOL. ISO 2768 T1 f		PROJECT ON ISO 128		
THIS DRAWING AND THE CONTAINED INFORMATION IN IT ARE PROPERTY OF AMS AND/OR THE CUSTOMER. WITH PROHIBITION TO REPRODUCE OR TO DISCLOSE THEM WITHOUT A WRITTEN CONSENT.						